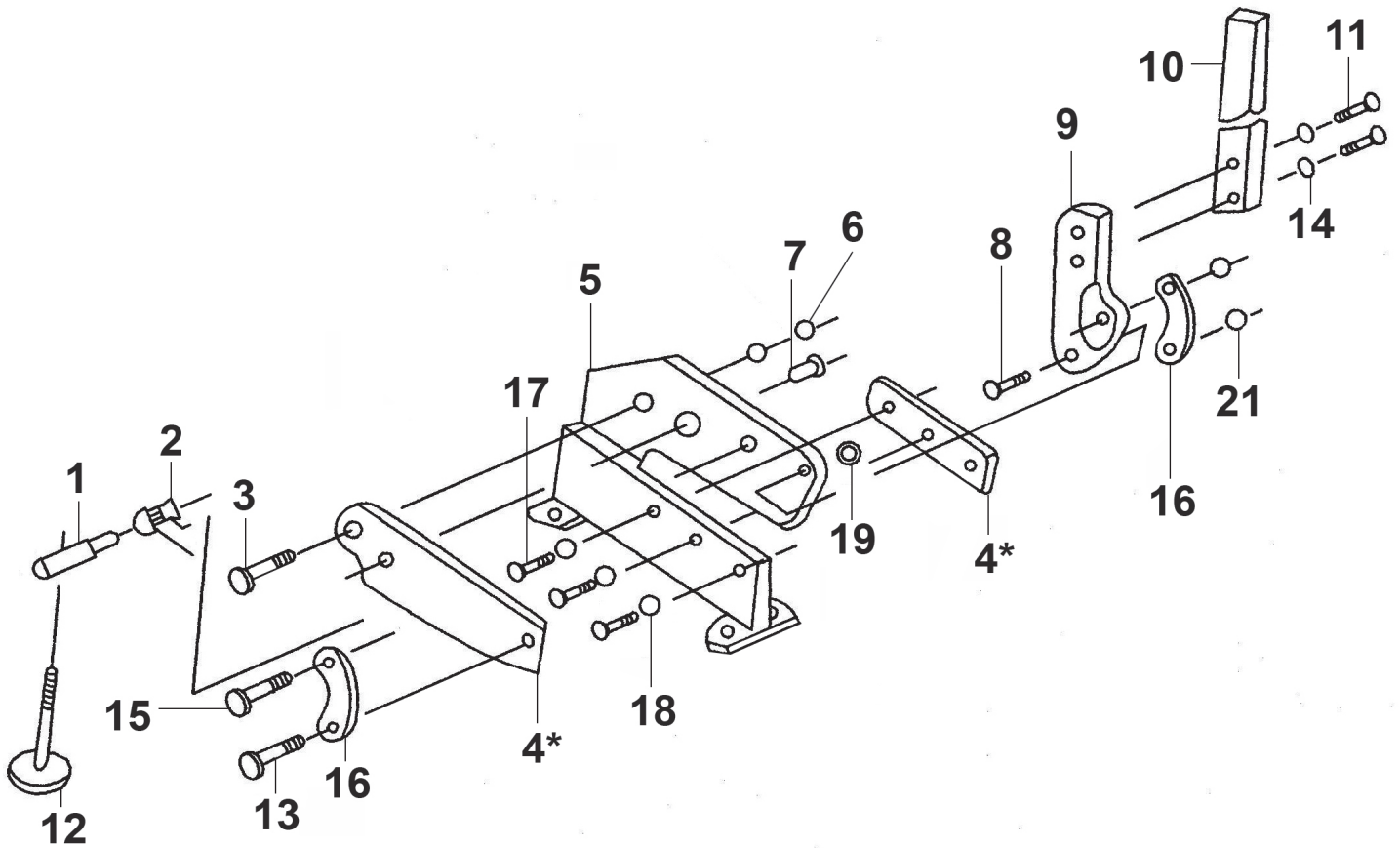




Parts Information:
Metal Cutting Shears
Model No: 3S/4R-V3, 3S/5R-V3,
3S/6R-V3



| Item | Part No. | Description |
|------|-------------|---|
| 1 | 3S.6R.V3-01 | Shaft |
| 2 | 3S.6R.V3-02 | Spring 39.8mm |
| 3 | 3S.6R.V3-03 | Bolt |
| 4* | 3S.4R.V3-B | Upper & Lower Blade Set (for 3S/4R.V3 only) |
| -- | 3S.5R.V3-B | Upper & Lower Blade Set (for 3S/5R.V3 only) |
| -- | 3S.6R.V3-B | Upper & Lower Blade Set (for 3S/6R.V3 only) |
| 5 | 3S.6R.V3-05 | Body |
| 6 | 3S.6R.V3-06 | M14 x 1.50 Fine Pitch Half Nut Black |
| 7 | 3S.6R.V3-11 | Sleeve |
| 8 | 3S.6R.V3-12 | Screw |
| 9 | 3S.6R.V3-07 | Lever |
| 10 | 3S.6R.V3-08 | Handle |

| Item | Part No. | Description |
|------|-------------|-----------------------------------|
| 11 | SS1040.SB | Hex Head Set Screw M10 x 40 Black |
| 12 | 3S.6R.V3-10 | Disc |
| 13 | 3S.6R.V3-13 | Screw |
| 14 | FWM10.S | Flat Washer M10 Zinc |
| 15 | 3S.6R.V3-15 | Screw |
| 16 | 3S.6R.V3-16 | Rocker |
| 17 | SS1020.SB | Hex Head Set Screw M10 x 20 Black |
| 18 | 3S.6R.V3-18 | Washer |
| 19 | 3S.6R.V3-19 | Nut |
| 21 | 3S.6R.V3-21 | Nut 5/16 unf Lock Nut |
| -- | 3S.6R.V3-22 | Handle Joint Assembly (not shown) |

NOTE: It is our policy to continually improve products and as such we reserve the right to alter data, specifications and component parts without prior notice.

IMPORTANT: No liability is accepted for incorrect use of product. Spare parts must be fitted by a competent person

WARRANTY: Guarantee is 12 months from purchase date, proof of which will be required for any claim.

Sealey Group, Kempson Way, Suffolk Business Park, Bury St Edmunds, Suffolk. IP32 7AR



01284 757500



01284 703534



sales@sealey.co.uk



www.sealey.co.uk