



# QUICK RELEASE THREE-WAY FILL PISTOL TYPE GREASE GUN

MODEL NO: **AK481**

Thank you for purchasing a Sealey product. Manufactured to a high standard, this product will, if used according to these instructions, and properly maintained, give you years of trouble free performance.

**IMPORTANT:** PLEASE READ THESE INSTRUCTIONS CAREFULLY. NOTE THE SAFE OPERATIONAL REQUIREMENTS, WARNINGS & CAUTIONS. USE THE PRODUCT CORRECTLY AND WITH CARE FOR THE PURPOSE FOR WHICH IT IS INTENDED. FAILURE TO DO SO MAY CAUSE DAMAGE AND/OR PERSONAL INJURY AND WILL INVALIDATE THE WARRANTY. KEEP THESE INSTRUCTIONS SAFE FOR FUTURE USE.



Refer to instructions



Wear eye protection



Wear protective gloves

## 1. SAFETY

- ❑ **WARNING!** Ensure Health & Safety, local authority and general workshop practice regulations are adhered to when using this equipment.
- ✓ Familiarise yourself with the application and the limitations of the grease gun, as well as the potential hazards.
- ✓ Keep the work area clean, uncluttered and ensure there is adequate lighting.
- ✓ Keep the grease gun clean for best and safest performance.
- ✓ Check moving parts alignment on a regular basis.
- ✗ **DO NOT** use the grease gun for any purpose other than that it was designed for.
- ✗ **DO NOT** operate the grease gun if any parts are damaged or missing, as this may cause failure and/or personal injury.
- ✓ When not in use store in a safe, dry, childproof location.
- ❑ **WARNING!** Always wear approved eye protection when operating the grease gun.

## 2. INTRODUCTION

Pistol style grease gun with contoured handle. Highly durable die-cast aluminium alloy pump head with air-bleed valve. Fitted with an innovative quick release mechanism to speed up the refill process. Features three-way fill with cartridge, bulk and manual capability. Supplied with a rigid delivery tube and push-on hydraulic 4-jaw coupling. Accepts standard 400g cartridges.

## 3. SPECIFICATION

Model No: .....**AK481**

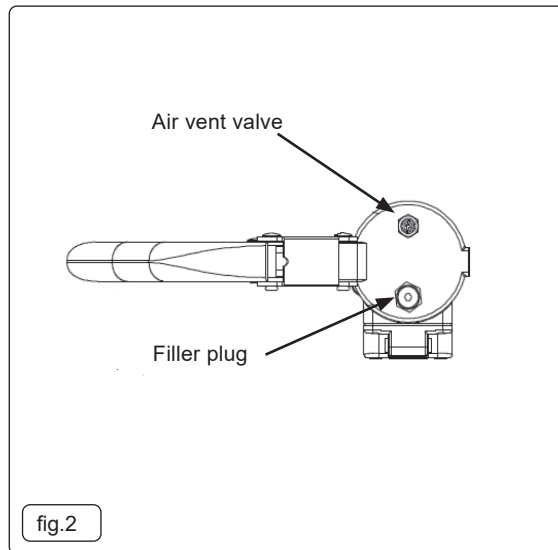
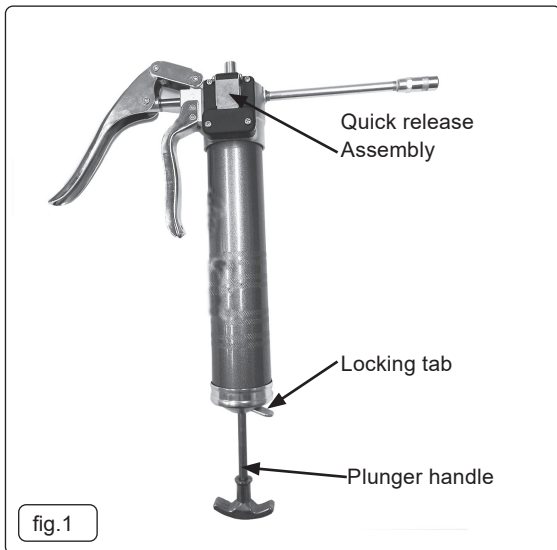
Capacity: ..... 400cm<sup>3</sup>

Delivery per stroke: ..... 0.71cm<sup>3</sup>

Delivery pressure: ..... 4000psi

Optional accessories:

GGHE300 - Rubber Delivery Hose with 4-Jaw Connector Flexible 300mm 1/8" BSP Gas



## 4. OPERATION

- **WARNING!** An empty grease cartridge or grease may be under pressure from the spring in the barrel, use caution when removing it.
- 4.1. GREASE GUN LOADING**
  - 4.1.1. Raise quick release mechanism cover (fig.1) and depress and hold the trigger.
  - 4.1.2. Separate the gun head from the grease gun barrel.
- 4.2. CARTRIDGE LOADING**
  - 4.2.1. Withdraw the plunger rod fully
  - 4.2.2. Remove plastic cap from end of grease gun cartridge, insert into barrel of grease gun.
  - 4.2.3. Remove seal from grease gun cartridge and mount grease gun head back onto the barrel.
  - 4.2.4. Depress the air vent valve (fig.2).
  - 4.2.5. Release the plunger rod using its tab, force the rod out and in a few times to eject air trapped in the grease via the air vent valve. When grease comes out of the valve, the air has been discharged.
  - 4.2.6. Pump the grease gun handle until grease flows continuously. If it does not, depress the air vent valve again and use the plunger rod to expel the trapped air.
- 4.3. SUCTION LOADING**
  - 4.3.1. Put open end of grease barrel into grease container to a depth of 50mm.
  - 4.3.2. Slowly pull back the plunger handle (fig.1) to pull the grease into the barrel. Lock the rod with the tab(fig.1).
  - 4.3.3. Shake the grease gun to settle the grease into the barrel.
  - 4.3.4. Mount grease gun head back onto the barrel, depress the air vent valve (fig.2).
  - 4.3.5. Release the plunger rod using its tab, force it out and in a few times to eject air trapped in the grease, from the air vent valve. When grease comes out of the air vent valve the air has been discharged.
  - 4.3.6. Pump the grease gun handle until grease flows continuously. If it does not, depress the air vent valve and use the plunger rod to expel the trapped air.
- 4.4. FILLER PUMP LOADING**
  - 4.4.1. Connect delivery mechanism from dispenser to the gun head filler plug (fig.2).
  - 4.4.2. Check that the bulk filler valves are compatible with gun filler plug.
  - 4.4.3. Wipe both the nipples clean of any dirt before filling.
  - 4.4.4. Connect the bulk filler valve to the grease bulk filler pump, keeping weight on the grease gun to keep it connected.
  - 4.4.5. Pumping becomes very hard once the grease gun barrel is filled.
  - 4.4.6. Depress the air vent valve to release any trapped air by releasing the plunger rod using its tab and pushing it in and out a few times to eject air trapped in the grease, from the air vent valve. When grease comes out of the air vent valve, the air has been discharged.
  - 4.4.7. Pump grease gun handle until grease flows continuously. If it does not, depress the air vent valve and use the plunger rod to expel the trapped air.
- 4.5. USING THE GUN**
  - 4.5.1. The coupler has jaws which snap onto a grease nipple. Push the coupler straight onto the nipple to form a good fit.
  - 4.5.2. Operate the grease gun as square onto the nipple as possible.
  - 4.5.3. Once finished filling, tilt the coupler, twist and pull it off.
- **WARNING! DO NOT** try to pull the coupler off straight.



### ENVIRONMENT PROTECTION

Recycle unwanted materials instead of disposing of them as waste. All tools, accessories and packaging should be sorted, taken to a recycling centre and disposed of in a manner which is compatible with the environment. When the product becomes completely unserviceable and requires disposal, drain any fluids (if applicable) into approved containers and dispose of the product and fluids according to local regulations.

**Note:** It is our policy to continually improve products and as such we reserve the right to alter data, specifications and component parts without prior notice.

**Important:** No Liability is accepted for incorrect use of this product.

**Warranty:** Guarantee is 12 months from purchase date, proof of which is required for any claim.

Sealey Group, Kempson Way, Suffolk Business Park, Bury St Edmunds, Suffolk. IP32 7AR



01284 757500



01284 703534



sales@sealey.co.uk



www.sealey.co.uk