



INSTRUCTIONS FOR:
**TOPCHEST 4 DRAWER WIDE RETRO,
 ROLL CAB 6 DRAWER WIDE RETRO**
 MODEL No's: **AP41104 & AP41206 SERIES**

Thank you for purchasing a Sealey product. Manufactured to a high standard, this product will, if used according to these instructions, and properly maintained, give you years of trouble free performance.

IMPORTANT: PLEASE READ THESE INSTRUCTIONS CAREFULLY. NOTE THE SAFE OPERATIONAL REQUIREMENTS, WARNINGS & CAUTIONS. USE THE PRODUCT CORRECTLY AND WITH CARE FOR THE PURPOSE FOR WHICH IT IS INTENDED. FAILURE TO DO SO MAY CAUSE DAMAGE AND/OR PERSONAL INJURY AND WILL INVALIDATE THE WARRANTY. KEEP THESE INSTRUCTIONS SAFE FOR FUTURE USE.



Refer to instruction manual



Wear protective gloves

1. SAFETY

- WARNING!** Ensure Health & Safety, local authority, and general workshop practice regulations adhered to when using this product.
- WARNING!** Use caution when handling and assembling the metal components. The metal may have sharp edges or corners, the use of protective gloves is recommended.
- DO NOT** open more than one drawer at a time.
- DO NOT** step on the drawers.
- DO NOT** let children play with the roll cab or top chest.
- Ensure all drawers are fully closed and the self locking catch is activated, before moving the toolbox.
- Secure the brakes when rollcab is in the desired position.
- Keep the work area clean, uncluttered and ensure there is adequate lighting.
- Keep the mounting frame clean and tidy in accordance with good workshop practice.
- DO NOT** use in damp work areas.
- WARNING!** The warnings, cautions and instructions referred to in this instruction manual cannot cover all possible conditions and situations that may occur. It must be understood that common sense and caution are factors which cannot be built into this product, but must be applied by the operator.

2. INTRODUCTION

AP41104

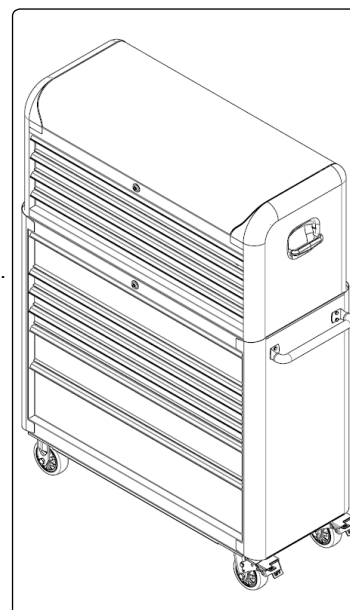
Extra wide retro styled top chest with modern day functionality. Features 4 drawers with 45kg ball bearing slides and stylish trimmed lift latch drawer pulls preventing inadvertent opening. Chest is further enhanced with gas strut supported opening clam shell top providing additional storage. Retro theme is continued with recessed chrome side handles. Drawers and top lid are fitted with drawer liners and lock on one key turn. For use with AP41206 series rollcabs to make a complete retro style stack unit.

AP41206

Extra wide retro styled rollcab with modern day functionality. Features 6 drawers with 45kg ball bearing slides and stylish trimmed lift latch drawer pulls preventing inadvertent drawer opening. Retro theme is continued with stylish heavy duty casters, two with brakes. All drawers are fitted with liners and lock on one key turn. For use with AP41104 series topchests to make a complete retro style stack unit.

3. SPECIFICATION

| Model No: | AP41104 SERIES | AP41206 SERIES |
|---------------------------------|--------------------|---------------------|
| Overall Dimensions (W x D x H): | 1080 x 450 x 495mm | 1100 x 460 x 1040mm |
| Clam Shell Top: | 960 x 430 x 80mm | n/a |
| Medium Drawer (x4): | 945 x 400 x 60mm | n/a |
| Medium Drawer (x3): | n/a | 945 x 400 x 60mm |
| Large Drawer (x2): | n/a | 945 x 400 x 135mm |
| Extra Large Drawer (x1): | n/a | 945 x 400 x 210mm |



4. ASSEMBLY

4.1. Roll Cab Handle Installation.

4.1.1. Position the handle over the holes in the roll cab, attach using the M6 x 12mm hex bolts and tighten securely (fig.1). Assembling the handle first will make it easier to handle the roll cab.

4.2. Castor Installation.

4.2.1. Lay the roll cab carefully on its back, protecting it with a soft mat placed on the floor.

4.2.2. Position the two rigid castors at the end opposite the handle.

4.2.3. Insert the M8 x 20mm hex bolts through the washers, then through the castors and into the base of the roll cab, tighten securely.

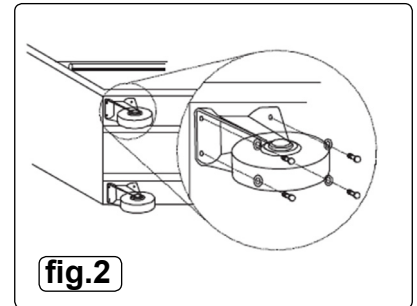
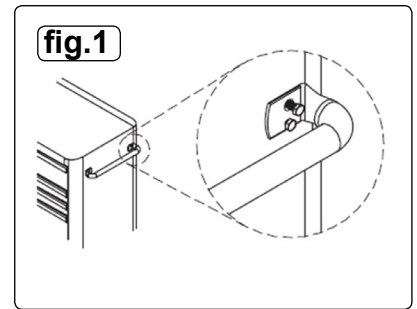
4.2.4. Repeat with the two swivel castors on the opposite (handle) end.

4.3. Roll Cab and Top Chest Connection.

4.3.1. Place the top chest onto the roll cab.

4.3.2. Snap the connectors into the square holes on the back of the top chest (fig.3.).

4.3.3. Fasten the connectors with the screws provided.



5. OPERATION

5.1. Raise and Release Drawers.

5.1.1. To open: lift the drawer front whilst pulling it out (fig.4).

5.1.2. To close: shut the drawer firmly until the latch engages.

5.1.3. If the drawer does not latch, the hook (fig.4) may be misaligned or binding.

5.1.4. Bend the hook gently until it is parallel to the drawer edge and engages when closed.

5.2. To Remove Drawers

5.2.1. Pull drawer out almost fully.

5.2.2. Locate the black locking levers (figs. 5 & 6).

5.2.3. Facing the drawer; lift one lever up (fig.5), and push the other lever down (fig.6).

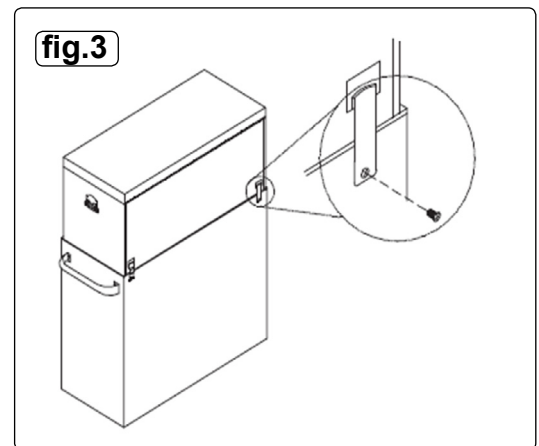
5.2.4. With both levers deployed, the drawer can be pulled out from the slides.

5.3. To Replace Drawers

5.3.1. Extend the drawer runners from the cabinet.

5.3.2. Engage the slides on either side of the drawer carefully into the runners.

5.3.3. Push the drawer closed squarely until the drawer is closed fully, engaging the locking levers as it goes.

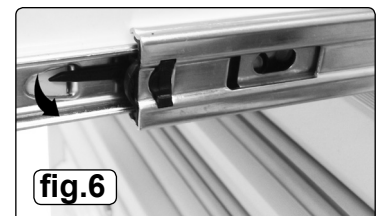


6. MAINTENANCE

6.1. Lubricate the drawer slides sparingly every six months.

6.2. Clean the metalwork periodically with warm water and a mild detergent.

6.3. Stubborn grease and oil marks can be removed by using a non-abrasive cleaner.



Environmental Protection
Recycle unwanted materials instead of disposing of them as waste. All tools, accessories and packaging should be sorted, taken to a recycling centre and disposed of in a manner which is compatible with the environment.
When the product becomes completely unserviceable and requires disposal, drain off any fluids (if applicable) into approved containers and dispose of the product and the fluids according to local regulations.

NOTE: It is our policy to continually improve products and as such we reserve the right to alter data, specifications and component parts without prior notice.

IMPORTANT: No liability is accepted for incorrect use of this product.

WARRANTY: Guarantee is 12 months from purchase date, proof of which will be required for any claim.



Sole UK Distributor, Sealey Group.
Kempson Way, Suffolk Business Park,
Bury St. Edmunds, Suffolk.
IP32 7AR



01284 757500



01284 703534



www.sealey.co.uk



sales@sealey.co.uk