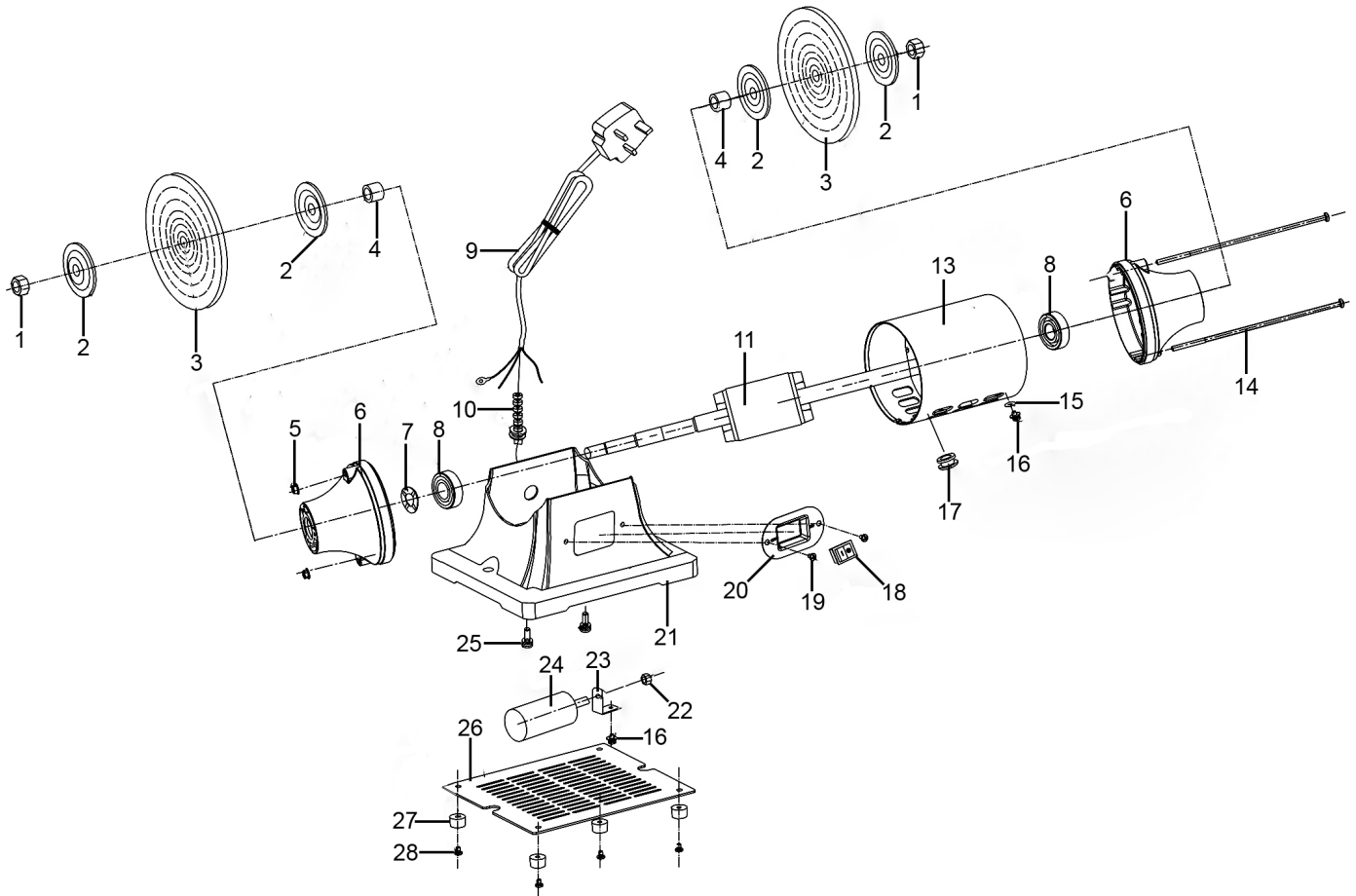


Parts Information:
Bench Mounting Buffer/Polisher 200mm
550W/230V
Model No: BB2002



Item	Part No.	Description
1	SN16.S	Steel Nut M16
2	BB2002.02	Wheel Flange
3	BG200BW	Buffing Wheel, Fine
4	BB2002.04	Spacer
5	SN5.S	Steel Nut M5
6	BB2002.06	End Cap
7	BB2002.07	Wavy Washer
8	B/6203	Bearing 6203
9	BB2002.09	Power Cord + Plug
10	BB2002.10	Strain Relief
11	BB2002.11	Rotor
13	BB2002.13	Stator
14	BB2002.14	Phillips Screw (c/w Washer) M5 x 200
15	BB2002.15	M4 EXT Tooth Washer Black

Item	Part No.	Description
16	BB2002.16	Phillips Screw Assembly M4 x 8
17	BB2002.17	Cord Bushing
18	BB2002.18	Power Switch, Rocker
19	MSP58.SB	Machine Screw Pan Head Phillips M5 x 8mm
20	BB2002.20	Switch Plate
21	BB2002.21	Base
22	SN8.S	Steel Nut M8
23	BB2002.23	Capacitor Support
24	BB2002.24	Capacitor
25	BB2002.25	Phillips Screw (c/w Spring Washer) M6 x 20
26	BB2002.26	Base Cover
27	BB2002.27	Rubber Foot
28	BB2002.28	Phillips Screw (c/w Flat Washer) M4 x 12
--	BG200BWC	Buffing Wheel, Coarse (Not Shown)

NOTE: It is our policy to continually improve products and as such we reserve the right to alter data, specifications and component parts without prior notice. There may be alternative versions of this product, please contact us should you require this information.

IMPORTANT: No liability is accepted for incorrect use of product. Spare parts must be fitted by a competent person

WARRANTY: Guarantee is 12 months from purchase date, proof of which will be required for any claim.