



# CORDLESS SCREWDRIVER SET 26PC 3.7V LITHIUM-ION

MODEL NO: **CP36B**

Thank you for purchasing a Sealey product. Manufactured to a high standard, this product will, if used according to these instructions, and properly maintained, give you years of trouble free performance.

**IMPORTANT:** PLEASE READ THESE INSTRUCTIONS CAREFULLY. NOTE THE SAFE OPERATIONAL REQUIREMENTS, WARNINGS & CAUTIONS. USE THE PRODUCT CORRECTLY AND WITH CARE FOR THE PURPOSE FOR WHICH IT IS INTENDED. FAILURE TO DO SO MAY CAUSE DAMAGE AND/OR PERSONAL INJURY AND WILL INVALIDATE THE WARRANTY. KEEP THESE INSTRUCTIONS SAFE FOR FUTURE USE.



Refer to  
instructions



Wear eye  
protection

## 1. SAFETY

### 1.1. GENERAL SAFETY

- ✓ Maintain the screwdriver in good condition. Check moving parts alignment on a regular basis.
- ✓ Keep the screwdriver and charger clean for best and safest performance.
- ✓ Remove ill fitting clothing. Remove ties, watches, rings and other loose jewellery and contain long hair.
- ✓ Secure loose workpieces with a clamp, vice or other adequate holding device.
- ✓ Avoid unintentional starting.
- ✓ Wear approved safety eye protection.
- ✓ Maintain correct balance and footing. Ensure the floor is not slippery and wear non-slip shoes.
- ✓ Keep children and unauthorised persons away from the working area.
- ✗ **DO NOT** allow children to operate the screwdriver.
- ✗ **DO NOT** hold unsecured workpiece in your hand.
- ✗ **DO NOT** carry the screwdriver with your finger on the trigger.
- ✗ **DO NOT** use the screwdriver for a task it is not designed for.
- ✗ **DO NOT** operate the screwdriver when you are tired or under the influence of alcohol, drugs or intoxicating medication.
- ✗ **DO NOT** get the screwdriver or battery charger wet or use in damp or wet locations.
- ✓ Keep screwdriver and charger in a safe, dry, child proof area where the temperature will not exceed 104°F (40°C).

### 1.2. ELECTRICAL SAFETY FOR USE OF CHARGER

#### **USE ONLY THE SUPPLIED CHARGER PLUG FOR CONNECTING SCREWDRIVER TO THE POWER SUPPLY.**

- WARNING!** It is the user's responsibility to read, understand and comply with the following electrical instructions:  
You must ensure the risk of electric shock is minimised by the installation of appropriate safety devices. An RCCB (Residual Current Circuit Breaker) should be incorporated in the main distribution board. We also recommend that an RCD (Residual Current Device) is used with all electrical products, particularly portable equipment which is plugged into an electrical supply not protected by an RCCB. **You must** also read and understand the following instructions concerning electrical safety.
- 1.2.1. **The Electricity At Work Act 1989** requires all portable electrical appliances, if used on business premises, to be tested by a qualified electrician, using a Portable Appliance Tester (PAT), at least once a year.
- 1.2.2. **The Health & Safety at Work Act 1974** makes owners of electrical appliances responsible for the safe condition of the appliance and the safety of the appliance operator. **If in any doubt about electrical safety, contact a qualified electrician.**
- 1.2.3. **You must ensure that you:**
  - ✓ Inspect the charger plug, cable and connector for wear and damage to ensure items are safe before connecting to the mains power supply. If worn or damaged **DO NOT** use.  
**IMPORTANT:** Check that the voltage marked on the charger plug is the same as the power supply to be used.
  - ✗ **DO NOT** pull the charger plug from the mains socket by the lead.
  - ✗ **DO NOT** use any other type of charger with this product.
  - ✗ **DO NOT** try to take the charger plug apart.
  - ✗ **DO NOT** use the charger plug to charge or power any other electrical item.
  - ✗ **DO NOT** get the charger wet, or use in wet, damp conditions (for indoor use only).
  - WARNING! NEVER** substitute a standard 13amp 3 pin plug, or any other type of plug, for the charger plug.

### 1.3. BATTERY SAFETY

- WARNING!** To reduce the risk of burns or fire:
  - ✗ **DO NOT** attempt to open, dismantle, modify or service the battery.
  - ✗ **DO NOT** crush, puncture, short external contacts or dispose of in fire or water. **DO NOT** expose to temperatures above 60°C (140°).
  - ✓ Recycle or dispose of used battery as stipulated by local regulation.

## 2. INTRODUCTION

Compact, lightweight and comfortable to use. Features locking swivel adjustment from pistol to straight grip. Forward, reverse and trigger-lock with soft grip handle. Features LED work light and three colour battery indicator. Eight adjustable torque settings coupled with a quick release bit holder. Supplied with 24 assorted bits and mains charging cable.

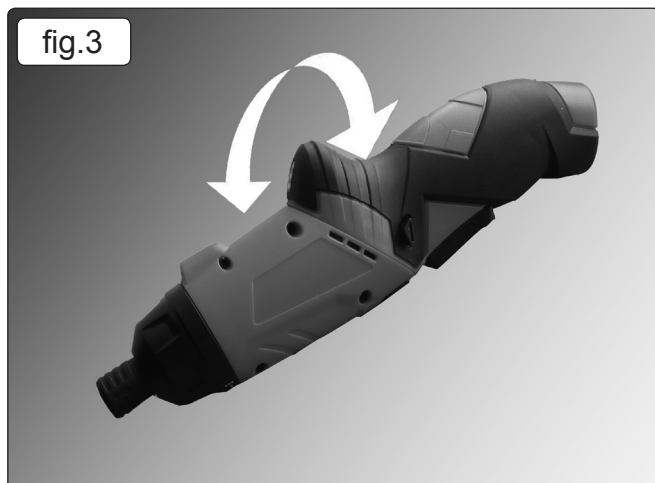
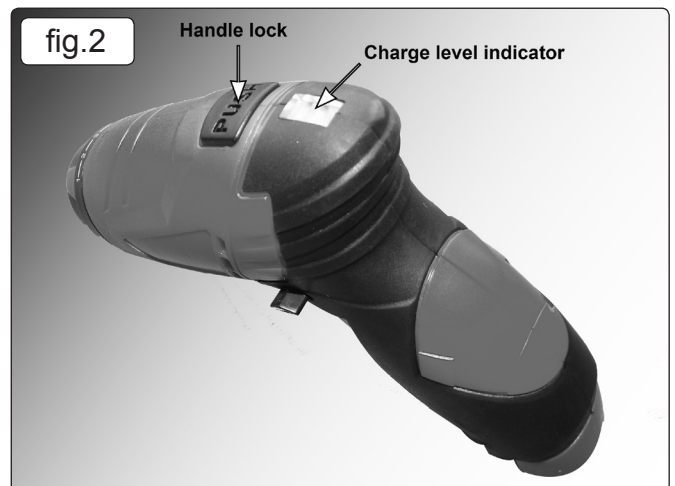
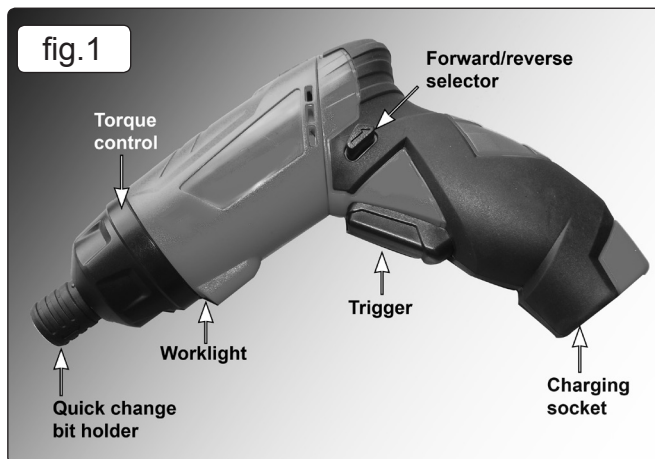
### 3. SPECIFICATION

**Model No:** .....CP36B  
**Battery:** .....3.7V 1.3Ah Li-ion  
**Charging Time:** ..... 3-5hr  
**Free Speed:** ..... 210rpm  
**Maximum Torque:** ..... 3.5Nm  
**No Load Speed:** ..... 0-210rpm  
**Vibration:** ..... 0.48m/s<sup>2</sup>  
**Uncertainty:** ..... 1.5m/s<sup>2</sup>  
**Noise Power:** ..... 71dB(A)  
**Noise Pressure:** ..... 60dB(A)  
**Contents:** .....  
Screwdriver Bits: Slotted - 3 (x2), 4, 5mm, Phillips - #0, #1, #2 (x2), #3, Pozi - #0, #2, #3, TRX-Star\* - T8, T10, T15, T20, Hex - 1.5, 4mm, 50mm Screwdriver Bits: Slotted - 4mm, Phillips - #2, Magnetic Bit Holder, Drill Bits - 2, 2.5, 3mm.

### 4. OPERATION

**IMPORTANT WARRANTY INFORMATION:** The battery fitted to this cordless tool is considered to be a consumable item and its ability to accept charge will reduce over time. Our warranty will cover genuine battery malfunction, but not fair wear and tear, for a period of 12 months.

- 4.1. To charge the screwdriver, insert the charger jack into the charging socket on the screwdriver (fig.1) and plug the charger into a mains socket.
- 4.2. The red indicator light will illuminate to indicate the battery is being charged. When charging is complete, unplug the charger from the mains and the screwdriver.
- 4.3. When the green button is lit, the battery is fully charged.
- 4.4. Place a bit into the bit holder of the screwdriver. Select the required direction by using the reverse switch (fig.1) (which will lock the screwdriver in its central position) and squeeze the trigger to start the screwdriver. The LED worklight will light with initial pressure on the trigger.
- 4.5. The charge level indicator (fig.2) shows there is sufficient charge if all the LEDs illuminate, if just the yellow and red LEDs illuminate, the screwdriver will soon need charging, if just the red LED illuminates, the screwdriver needs to be charged immediately.
- 4.6. To change the position of the handle, press the handle lock (fig.2) and turn the handle around 180° until it clicks into position (fig.3)
- 4.7. To select torque or drill setting, twist the torque selector around to the required setting - from 1 (the lowest) to 8 (the highest) for torque setting or to the drill symbol for drilling.
- 4.8. When finished working, remove the bit from the bit holder, pulling back the quick release bit holder. Clean the screwdriver and store in a clean, dry, childproof location.



## WARNING! – Risk of Hand Arm Vibration Injury.

**This tool may cause Hand Arm Vibration Syndrome if its use is not managed adequately.**

This tool is subject to the vibration testing section of the Machinery Directive 2006/42/EC.

This tool is to be operated in accordance with these instructions.

**Measured vibration emission value (a):** ..... **0.48 m/s<sup>2</sup>**

**Uncertainty value (k):** ..... **1.5 m/s<sup>2</sup>**

*Please note that the application of the tool to a sole specialist task may produce a different average vibration emission. We recommend that a specific evaluation of the vibration emission is conducted prior to commencing with a specialist task.*

A health and safety assessment by the user (or employer) will need to be carried out to determine the suitable duration of use for each tool.

**NB:** Stated Vibration Emission values are type-test values and are intended to be typical.

Whilst in use, the actual value will vary considerably from and depend on many factors.

Such factors include; the operator, the task and the inserted tool or consumable.

**NB:** ensure that the length of leader hoses is sufficient to allow unrestricted use, as this also helps to reduce vibration.

*The state of maintenance of the tool itself is also an important factor, a poorly maintained tool will also increase the risk of Hand Arm Vibration Syndrome.*

### Health surveillance.

We recommend a programme of health surveillance to detect early symptoms of vibration injury so that management procedures can be modified accordingly.

### Personal protective equipment.

We are not aware of any personal protective equipment (PPE) that provides protection against vibration injury that may result from the uncontrolled use of this tool. We recommend a sufficient supply of clothing (including gloves) to enable the operator to remain warm and dry and maintain good blood circulation in fingers etc. Please note that the most effective protection is prevention, please refer to the Correct Use and Maintenance section in these instructions. Guidance relating to the management of hand arm vibration can be found on the HSE website [www.hse.gov.uk](http://www.hse.gov.uk) - Hand-Arm Vibration at Work.



### ENVIRONMENT PROTECTION

Recycle unwanted materials instead of disposing of them as waste. All tools, accessories and packaging should be sorted, taken to a recycling centre and disposed of in a manner which is compatible with the environment. When the product becomes completely unserviceable and requires disposal, drain any fluids (if applicable) into approved containers and dispose of the product and fluids according to local regulations.



### BATTERY REMOVAL

Under the Waste Batteries and Accumulators Regulations 2009, Jack Sealey Ltd are required to inform potential purchasers of products containing batteries (as defined within these regulations), that they are registered with Valpak's registered compliance scheme. Jack Sealey Ltd's Batteries Producer Registration Number (BPRN) is BPRN00705.

**Note:** It is our policy to continually improve products and as such we reserve the right to alter data, specifications and component parts without prior notice.

**Important:** No Liability is accepted for incorrect use of this product.

**Warranty:** Guarantee is 12 months from purchase date, proof of which is required for any claim.

**Sealey Group, Kempson Way, Suffolk Business Park, Bury St Edmunds, Suffolk. IP32 7AR**



**01284 757500**



**01284 703534**



**sales@sealey.co.uk**



**www.sealey.co.uk**