



HEAVY-DUTY HOSE REEL CART

MODEL NO: **HRCHD**

Thank you for purchasing a Sealey product. Manufactured to a high standard, this product will, if used according to these instructions, and properly maintained, give you years of trouble free performance.

IMPORTANT: PLEASE READ THESE INSTRUCTIONS CAREFULLY. NOTE THE SAFE OPERATIONAL REQUIREMENTS, WARNINGS & CAUTIONS. USE THE PRODUCT CORRECTLY AND WITH CARE FOR THE PURPOSE FOR WHICH IT IS INTENDED. FAILURE TO DO SO MAY CAUSE DAMAGE AND/OR PERSONAL INJURY AND WILL INVALIDATE THE WARRANTY. KEEP THESE INSTRUCTIONS SAFE FOR FUTURE USE.



Refer to instructions

1. SAFETY

- WARNING!** Disconnect the hose reel from the water supply before changing accessories, servicing or performing any maintenance.
- ✓ Maintain the hose reel trolley in good condition.
- ✓ Replace or repair damaged parts. Use recommended parts only. Unauthorised parts may be dangerous and will invalidate the warranty.
- ✗ **DO NOT** operate the hose reel trolley if any parts are damaged or missing as this may cause failure and/or personal injury.
- ✗ **DO NOT** exceed the rated capacity of the hose reel trolley.
- ✗ **DO NOT** use the hose reel trolley for any purpose other than that for which it is designed.
- ✗ **DO NOT** operate the hose reel when you are tired or under the influence of alcohol, drugs or intoxicating medication.
- ✗ **DO NOT** direct water from the water hose at yourself or others.

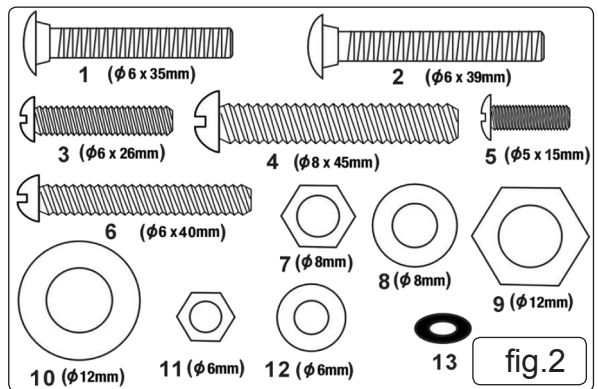
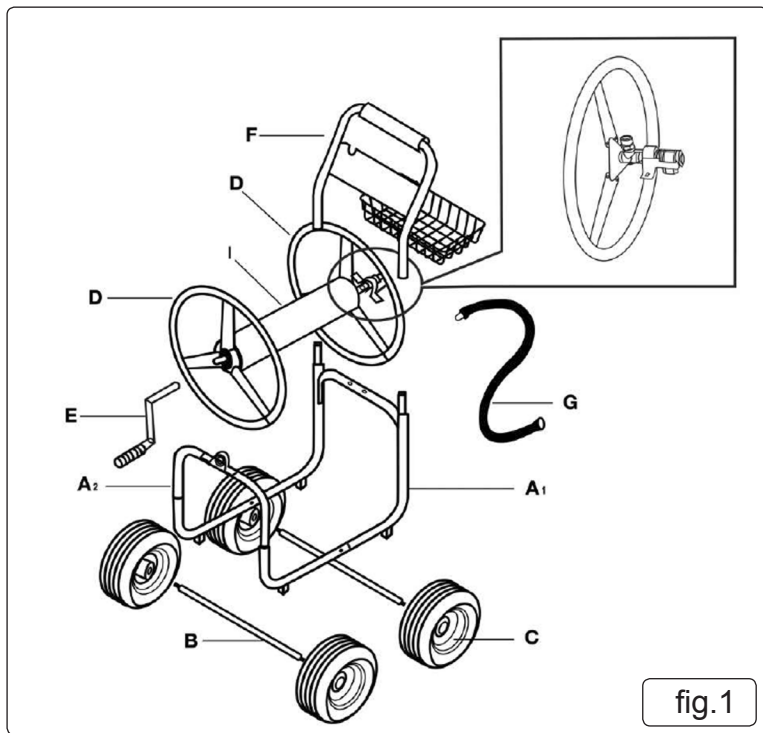
2. INTRODUCTION

Lightweight & durable tubular steel design. Perfect for keeping longer water hoses neat and tidy. Includes a 1.8m leader hose with 3/4" brass fittings. Can hold up to 120m of Ø13mm standard water hose or 50m of Ø19mm H/D hose (hose not included). Features a non-slip handle and a storage basket for frequently used tools. Fitted with easy rolling 10" puncture proof PU wheels and solid axle for rough terrain.

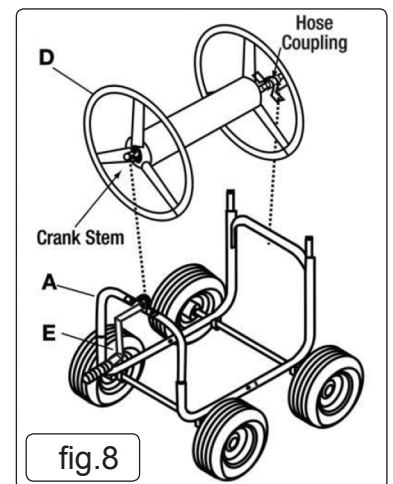
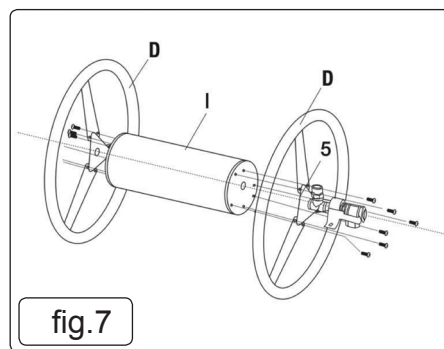
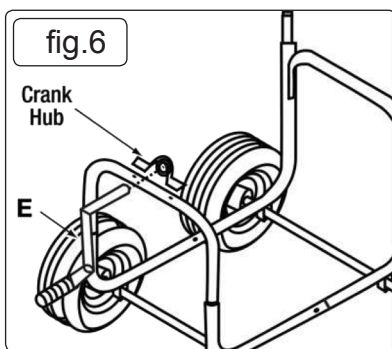
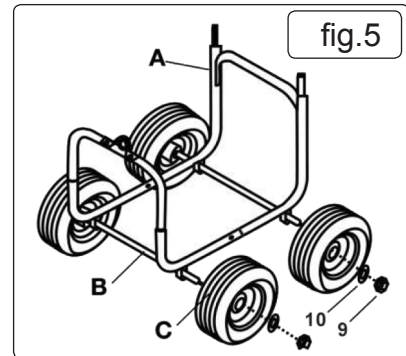
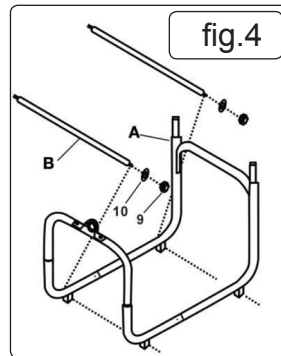
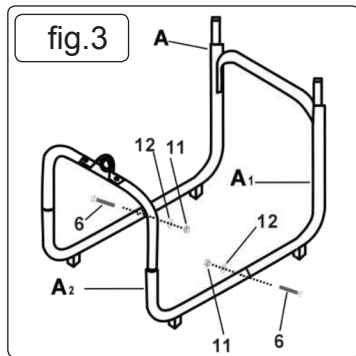
3. SPECIFICATION

Model No:..... HRCHD
 Nett Weight: 18.5kg

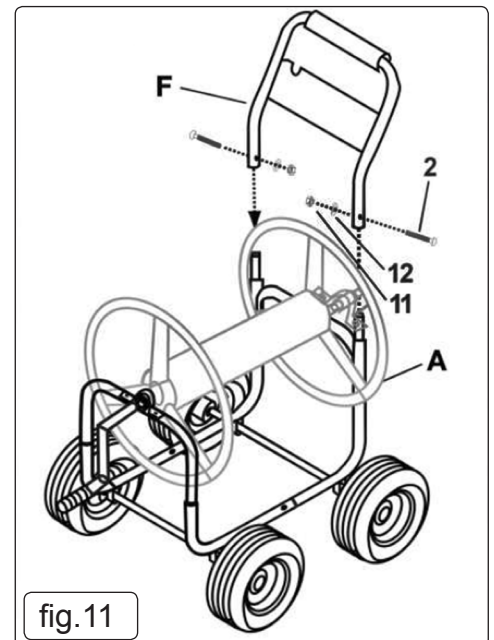
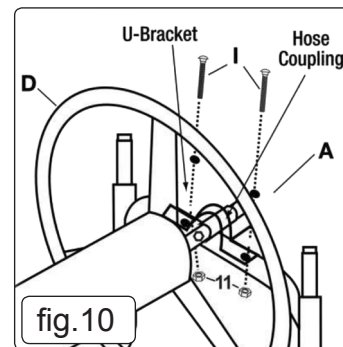
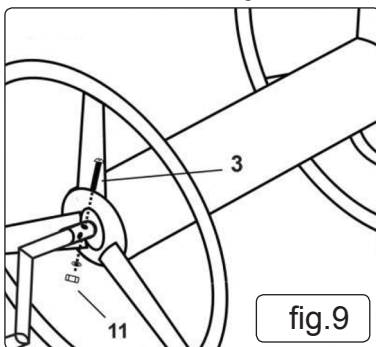
4. ASSEMBLY



- 4.1. Place Frame (fig.3.A1) into Frame (fig.3.A2) insert Bolt (fig.2.6) and place flat washer (fig.2.12) onto Bolt. Fasten frame using lock nut (fig.2.11).
- 4.2. Remove and retain lock nut (fig.2.9) and flat washer (fig.2.10) from axle (fig.4.B). Stand frame assembly (fig.4.A) upright. Slide each axle (fig.4.B) through both ends of frame (fig.4.A).
- 4.3. Slide wheels (fig.5.C) onto ends of each axles (fig.5.B), with the wheel valve stems facing outward. Fasten each wheel to axle using flat washers (fig.2.10) and lock nuts (fig.2.9). **DO NOT** over tighten.
- 4.4. Insert the end of crank handle (fig.6.E) through crank hub of frame (fig.6.A).



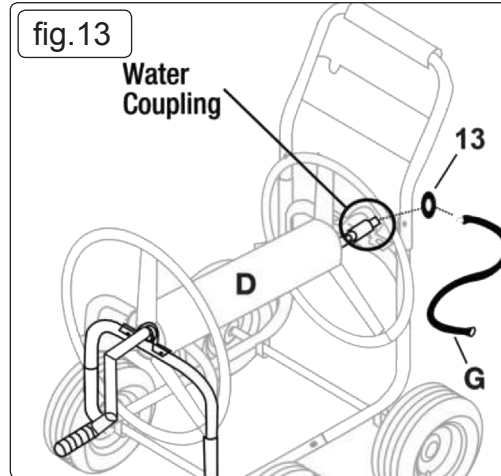
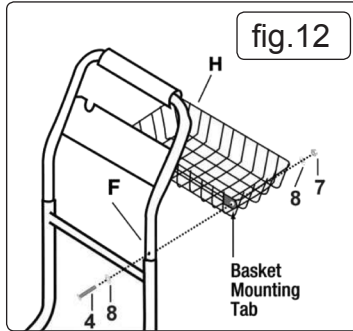
- 4.5. Attach the first hose reel (fig.7.D) to the roller (fig.7.I), on the end with the crank handle stem, using 6 bolts (fig.2.5).
- 4.6. Place hose reel (fig.8.D) into frame assembly (fig.8.A). Insert end of crank stem from hose reel (fig.8.D) onto crank handle (fig.8.E). Align crank handle (fig.8.E) mounting holes with crank stem mounting holes.



- 4.7. (fig.9.) Insert bolt (fig.2.3) through inside hole of crank stem and crank handle hole, Place flat washer (fig.2.10) onto bolt (fig.2.3) fasten with lock nut (fig.2.11). Tighten securely.
- 4.8. Attach hose coupling end of hose reel (fig.10.D) to frame (fig.10.A), using U-bracket. Fasten U-bracket to frame with carriage bolts (fig.2.3) and lock nuts (fig.2.11). Tighten securely.
- 4.9. Place handle (fig.11. F) onto vertical posts of frame (fig.11. A). Align mounting holes. Slide bolt (fig.2.2) through mounting holes and place flat washer (fig.2.12) onto bolt (fig.2.2). Fasten handle (fig.11. F) using lock nut (fig.2.11).
- 4.10. Attach basket (fig.12.H) to handle (fig.12.F). Place flat washer (fig.2.8) onto bolt (fig.2.4) and slide both bolts through mounting holes of handle (fig.12.F). Place basket (fig.12.H) mounting tabs onto bolts (fig.2.4) then place flat washer (fig.2.8) onto both bolts. Fasten basket using hex nuts (fig.2.7).

- 4.11. Place rubber washer (fig.2.13) into female end of water coupling on hose reel (fig.13.D) drum. Attach one end of leader hose (fig.13.G) to water coupling on hose reel (fig.13.D) drum. Attach the other end of leader hose (fig.13.G) to the water supply spigot. Attach garden hose to threaded garden hose connector and wind garden hose around hose reel (fig.13.D).

NOTE: The hose reel will hold up to 400 feet of 5/8" garden hose. (Garden hose not included)



5. STORAGE

- 5.1. Prior to storing the hose and reel, ensure that the water supply is turned off and any accessories are disconnected. Drain as much water from the hose as possible. Place in a dark, safe, dry, childproof location, where the hose will be protected from frost.

Parts support is available for this product. Please email sales@sealey.co.uk or telephone 01284 757500



ENVIRONMENT PROTECTION

Recycle unwanted materials instead of disposing of them as waste. All tools, accessories and packaging should be sorted, taken to a recycling centre and disposed of in a manner which is compatible with the environment. When the product becomes completely unserviceable and requires disposal, drain any fluids (if applicable) into approved containers and dispose of the product and fluids according to local regulations.

Note: It is our policy to continually improve products and as such we reserve the right to alter data, specifications and component parts without prior notice.

Important: No Liability is accepted for incorrect use of this product.

Warranty: Guarantee is 12 months from purchase date, proof of which is required for any claim.

Sealey Group, Kempson Way, Suffolk Business Park, Bury St Edmunds, Suffolk. IP32 7AR



01284 757500



01284 703534



sales@sealey.co.uk



www.sealey.co.uk