



20W COB LED R/CHARGE WIRELESS SPEAKER WORK LIGHT+POWER BANK

MODEL NO: **LED100WS.V2**

Thank you for purchasing a Sealey product. Manufactured to a high standard, this product will, if used according to these instructions, and properly maintained, give you years of trouble free performance.

IMPORTANT: PLEASE READ THESE INSTRUCTIONS CAREFULLY. NOTE THE SAFE OPERATIONAL REQUIREMENTS, WARNINGS & CAUTIONS. USE THE PRODUCT CORRECTLY AND WITH CARE FOR THE PURPOSE FOR WHICH IT IS INTENDED. FAILURE TO DO SO MAY CAUSE DAMAGE AND/OR PERSONAL INJURY AND WILL INVALIDATE THE WARRANTY. KEEP THESE INSTRUCTIONS SAFE FOR FUTURE USE.



Refer to instructions

1. SAFETY

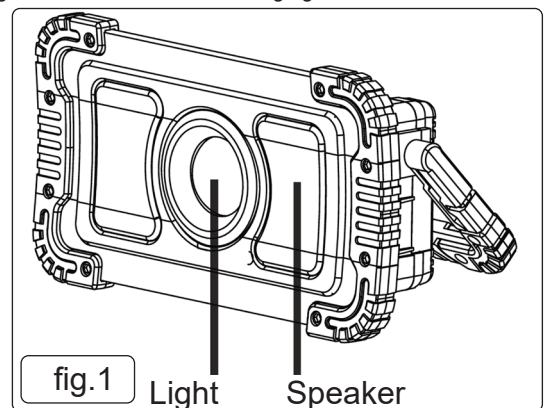
- ✓ Inspect the cable and connector for wear and damage to ensure items are safe before connecting to the power supply. If worn or damaged **DO NOT** use.
- ✓ Ensure the lamp is fully charged before initial use.
- ✗ **DO NOT** charge in damp conditions.
- ✗ **DO NOT** turn the lamp on when it is being charged.
- ✗ **DO NOT** shine directly into your, another person's or an animal's eyes.
- ✗ **DO NOT** allow children to use the lamp.
- ✗ **DO NOT** handle or move the lamp whilst it is being charged.
- ✗ **DO NOT** use the lamp if you suspect that the battery or the lamp casing is damaged.
- ✗ **DO NOT** leave battery in a discharged state, recharge battery immediately. Before storage, fully recharge the battery, subsequently recharge the battery at least once every six months of non-use.
- ✗ **DO NOT** attempt to open, disassemble, modify or service the battery pack.
- ✗ **DO NOT** crush, puncture, short external contacts or dispose of in fire or water.
- ✗ **DO NOT** expose to temperatures above 60°C (140°F).
- ✓ Replace only with the battery pack designated for this product.
- ✓ Recycle or dispose of used battery as stipulated by local regulation.
- ✓ If the electrolyte in the cells gets on your skin or eyes, rinse thoroughly with water.
- ✗ **DO NOT** connect your small devices to charge while the power bank is in the process of charging.
- ✗ **DO NOT** immerse in water.
- ✗ **DO NOT** place near a fire or any other source of intense heat – battery could explode if heated.
- ✓ Battery must be recycled or disposed of according to local regulations.

2. INTRODUCTION

3-in-1 Function floodlight made of a strong nylon plastic with thermoplastic rubber edges for durability. Features an ultra bright 20W COB LED light producing up to 1100 lumens with three light settings: High 1100lm, Mid 580lm, Low 350lm (working time: 3, 5 and 15 hours respectively). Work light also includes two good quality wireless speakers which can be easily linked to your tablet or smartphone. Fixed to the rear is a sturdy 180° adjustable stand which can also be used as a carry handle. Has four strong magnets on the back for easy mounting to metal applications such as a tool chest. Built-in power bank with a USB output and LED charge indicator. Micro USB charging lead included.

3. SPECIFICATION

Model No:	LED100WS.V2
Battery:	3.7V 8Ah Li-poly
Charging Time:.....	8hr
LED Qty:	20W COB LED
Lumen Output:	1100lm
Running Time:.....	3-15hr
Speaker Output:.....	80db
USB Output:.....	5V / 1A



4. OPERATION

NOTE: Charge before first use, see section 4.5.

4.1. TO TURN ON THE LIGHT: (FIG.2)

4.1.1. Short press the main power button to turn the light On/Off.

4.1.2. There are 3 lighting modes: high, mid and low. Keep pressing the button until you reach the desired setting.

4.2. TO CONNECT A WIRELESS ENABLED DEVICE (FIG.2)

4.2.1. Press and hold the wireless activation button for a couple of seconds until wireless-on tone is heard.

4.2.2. You can connect and play music from your mobile phone, tablet or other portable audio device. Keep the button pressed to turn off.

4.3. TO ADJUST VOLUME: (FIG.2)

4.3.1. Press and hold plus (+) button to increase volume. Press and hold minus (-) button to reduce volume.

4.4. TO MOVE FORWARD OR BACKWARD IN YOUR PLAYLIST: (FIG.2)

4.4.1. Short press plus (+) button to move to the next song. Short press minus (-) button to go to the previous song.

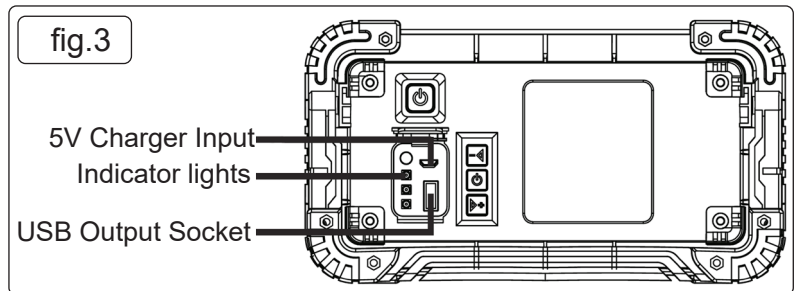
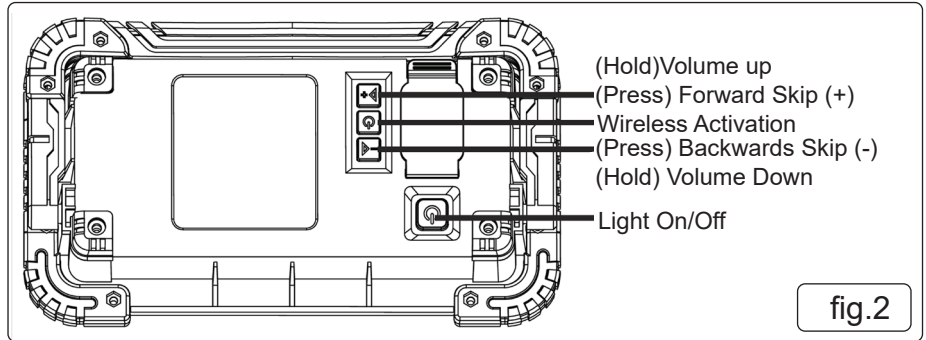
4.5. TO CHARGE THE LIGHT: (FIG.3)

4.5.1. Open the transparent cover on the back of the device. Plug a micro USB cable into the '5V' input and connect it to a power adaptor, home computer, laptop, etc. The indicator light will be on to show the power capacity. 3 blue LEDs are on when it is fully charged.

4.6. TO CHARGE YOUR SMALL DEVICES: (FIG.3)

4.6.1. Plug a USB cable into the '5V' Output at the base of the light and connect it to your mobile phone, camera, etc.

❑ **WARNING! DO NOT** connect your small devices to charge while the power bank is being charged.



ENVIRONMENT PROTECTION

Recycle unwanted materials instead of disposing of them as waste. All tools, accessories and packaging should be sorted, taken to a recycling centre and disposed of in a manner which is compatible with the environment. When the product becomes completely unserviceable and requires disposal, drain any fluids (if applicable) into approved containers and dispose of the product and fluids according to local regulations.



BATTERY REMOVAL

Under the Waste Batteries and Accumulators Regulations 2009, Jack Sealey Ltd are required to inform potential purchasers of products containing batteries (as defined within these regulations), that they are registered with Valpak's registered compliance scheme. Jack Sealey Ltd's Batteries Producer Registration Number (BPRN) is BPRN00705.



WEEE REGULATIONS

Dispose of this product at the end of its working life in compliance with the EU Directive on Waste Electrical and Electronic Equipment (WEEE). When the product is no longer required, it must be disposed of in an environmentally protective way. Contact your local solid waste authority for recycling information.

Note: It is our policy to continually improve products and as such we reserve the right to alter data, specifications and component parts without prior notice. Please note that other versions of this product are available. If you require documentation for alternative versions, please email or call our technical team on technical@sealey.co.uk or 01284 757505.

Important: No Liability is accepted for incorrect use of this product.

Warranty: Guarantee is 12 months from purchase date, proof of which is required for any claim.

Sealey Group, Kempson Way, Suffolk Business Park, Bury St Edmunds, Suffolk. IP32 7AR



01284 757500



01284 703534



sales@sealey.co.uk



www.sealey.co.uk