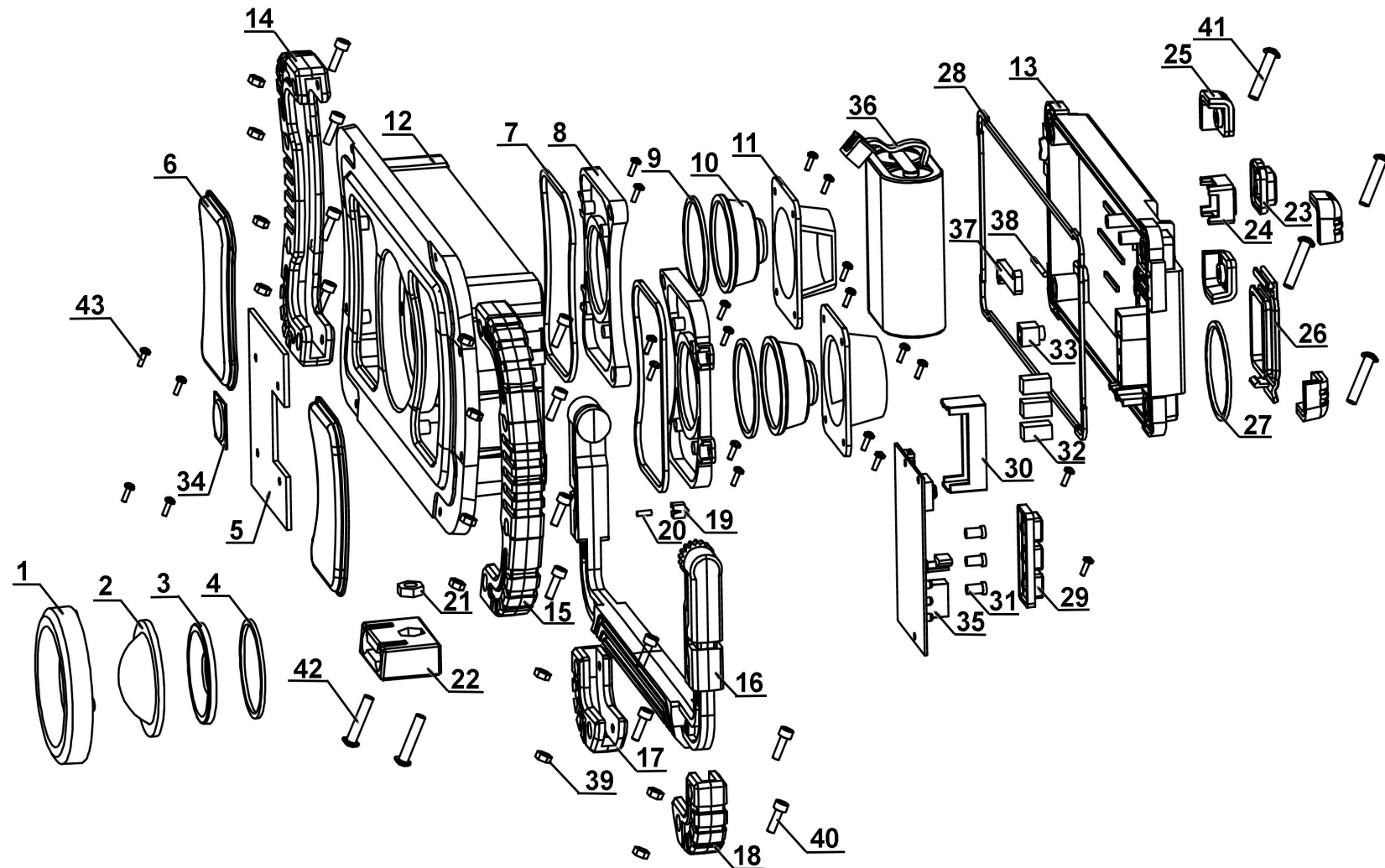




Parts Information:
Rechargeable Wireless Speaker Work Light 20W COB LED + Power Bank
Model No: LED100WS



NOTE: It is our policy to continually improve products and as such we reserve the right to alter data, specifications and component parts without prior notice.

There may be alternative versions of this product, please contact us should you require this information.

IMPORTANT: No liability is accepted for incorrect use of product. Spare parts must be fitted by a competent person

WARRANTY: Guarantee is 12 months from purchase date, proof of which will be required for any claim.

Sealey Group, Kempson Way, Suffolk Business Park, Bury St Edmunds, Suffolk. IP32 7AR



01284 757500



01284 703534



sales@sealey.co.uk



www.sealey.co.uk



Parts Information:
**Rechargeable Wireless Speaker Work
Light 20W COB LED + Power Bank**
Model No: LED100WS

Item	Part No.	Description
1	LED100WS.01	Lens Retaining Ring
2	LED100WS.02	Lens
3	LED100WS.03	Reflector
4	LED100WS.04	Sealing Ring for Lens
5	LED100WS.05	Cooling Plate
6	LED100WS.06	Speaker Protection Cover
7	LED100WS.07	Gasket / Gasket
8	LED100WS.08	Backing Plate for Speaker Protection Cover
9	LED100WS.09	Washer for Speaker
10	LED100WS.10	Speaker
11	LED100WS.11	Backing Plate for Speaker
12	LED100WS.12	Front Cover
13	LED100WS.13	Back Cover
14	LED100WS.14	Side Protection, Left (for Front Cover)
15	LED100WS.15	Side Protection, Right (for Front Cover)
16	LED100WS.16	Stand Base
17	LED100WS.17	Side Protection, Left (for Stand Base)
18	LED100WS.18	Side Protection, Right (for Stand Base)
19	LED100WS.19	Positioning Seat
20	LED100WS.20	Spring
21	SN6.S	Steel Nut M6 Zinc
22	LED100WS.22	Components Box
23	LED100WS.23	Button (for Light)

Item	Part No.	Description
24	LED100WS.24	Button Frame Base (for Light)
25	LED100WS.25	Side Protection (for Back Cover)
26	LED100WS.26	Lock Cover
27	LED100WS.27	Seal Ring (for Lock Cover)
28	LED100WS.28	Seal Ring (for Back Cover)
29	LED100WS.29	Button (for Speaker)
30	LED100WS.30	Button Frame Base (for Speaker)
31	LED100WS.31	Button Column (for Speaker)
32	LED100WS.32	Indication Frame
33	LED100WS.33	Indication Switch
34	LED100WS.34	COB
35	LED100WS.35	PCB
36	LED100WS.36	Battery
37	LED100WS.37	Axle
38	LED100WS.38	Axle Pin
39	SN3.S	Steel Nut M3 Zinc
40	SCB310.SB	Socket Head Cap Screw M3x10 Black
41	MSP425.SB	Machine Screw Pan Head Phillips M4x25mm Black
42	MSP410.SB	Machine Screw Pan Head Phillips M4x10mm Black
43	MSP38.SB	Machine Screw Pan Head Phillips M3x8mm Black

NOTE: It is our policy to continually improve products and as such we reserve the right to alter data, specifications and component parts without prior notice. There may be alternative versions of this product, please contact us should you require this information.

IMPORTANT: No liability is accepted for incorrect use of product. Spare parts must be fitted by a competent person

WARRANTY: Guarantee is 12 months from purchase date, proof of which will be required for any claim.

Sealey Group, Kempson Way, Suffolk Business Park, Bury St Edmunds, Suffolk. IP32 7AR



01284 757500



01284 703534



sales@sealey.co.uk



www.sealey.co.uk