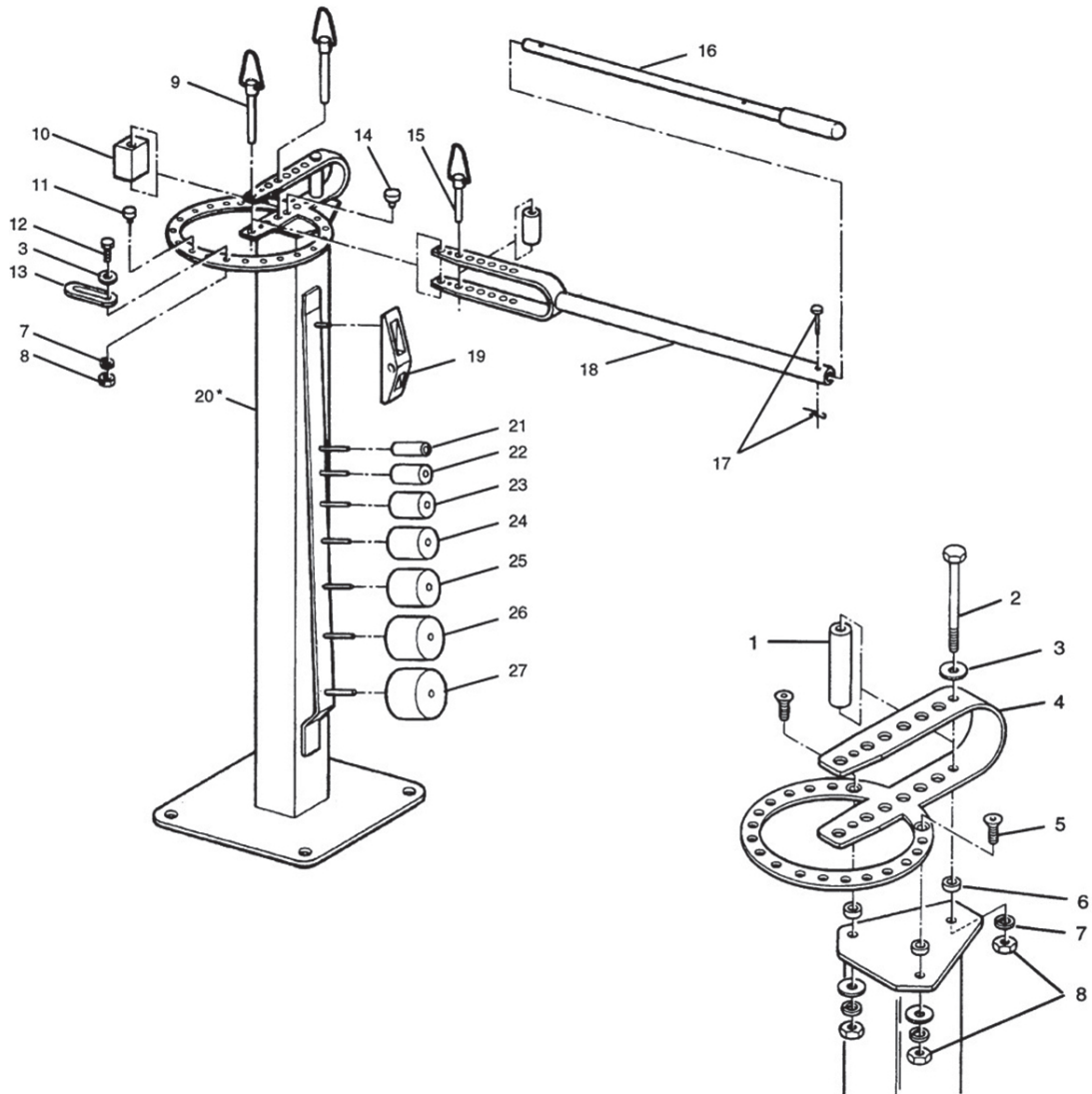




Parts Information:
FLOOR & BENCH MOUNTED METAL BENDERS
Model No: PBB04.V2 & PBF04.V2



Item	Part No.	Description
1	PBF04.V2-01	SPACER, LOOP
2	PBF04.V2-02	BOLT 3/8" x 4-3/4"
3	PBF04.V2-03	WASHER, FLAT 3/8"
4	PBF04.V2-04	RING ASSEMBLY
5	PBF04.V2-05	BOLT, FLAT HEAD 3/8"
6	PBF04.V2-06	SPACER, RING
7	PBF04.V2-07	WASHER, LOCK 3/8"
8	PBF04.V2-08	NUT 3/8"
9	PBF04.V2-09	HITCH PIN, LONG
10	PBF04.V2-10	STOP BLOCK
11	PBF04.V2-11	SUPPORT
12	PBF04.V2-12	BOLT 3/8" x 1-1/8"
13	PBF04.V2-13	STOP, ADJUSTABLE
14	PBF04.V2-14	STOP, FIXED

Item	Part No.	Description
15	PBF04.V2-15	HITCH PIN, SHORT
16	PBF04.V2-16	ARM, HANDLE EXTENSION
17	PBF04.V2-17	WITH HAIRCLIP, HANDLE PIN
18	PBF04.V2-18	HANDLE
19	PBF04.V2-19	ADJUSTMENT, SHARP-ANGLE-BEND
20	PBF04.V2-20	STAND (FLOOR) 'PBF04.V2 only'
	PBB04.V2-20	STAND (BENCH) 'PBB04.V2 only' (not shown)
21	PBF04.V2-21	DIE 1"
22	PBF04.V2-22	DIE 1-1/4"
23	PBF04.V2-23	DIE 1-1/2"
24	PBF04.V2-24	DIE 1-3/4"
25	PBF04.V2-25	DIE 2"
26	PBF04.V2-26	DIE 2-1/2"
27	PBF04.V2-27	DIE 3"

NOTE: It is our policy to continually improve products and as such we reserve the right to alter data, specifications and component parts without prior notice.

IMPORTANT: No liability is accepted for incorrect use of product.

WARRANTY: Guarantee is 12 months from purchase date, proof of which will be required for any claim.

Sealey Group, Kempson Way, Suffolk Business Park, Bury St Edmunds, Suffolk. IP32 7AR



01284 757500



01284 703534



sales@sealey.co.uk



www.sealey.co.uk