



# 30L WET & DRY VACUUM CLEANER 1100W

MODEL NO: PC300.V2

Thank you for purchasing a Sealey product. Manufactured to a high standard, this product will, if used according to these instructions, and properly maintained, give you years of trouble free performance.

**IMPORTANT:** PLEASE READ THESE INSTRUCTIONS CAREFULLY. NOTE THE SAFE OPERATIONAL REQUIREMENTS, WARNINGS & CAUTIONS. USE THE PRODUCT CORRECTLY AND WITH CARE FOR THE PURPOSE FOR WHICH IT IS INTENDED. FAILURE TO DO SO MAY CAUSE DAMAGE AND/OR PERSONAL INJURY AND WILL INVALIDATE THE WARRANTY. KEEP THESE INSTRUCTIONS SAFE FOR FUTURE USE.



Refer to instructions



Wear protective clothing



Wear protective gloves



Wear eye protection

## 1. SAFETY

### 1.1. ELECTRICAL SAFETY

- ❑ **WARNING!** It is the user's responsibility to check the following:  
Check all electrical equipment and appliances to ensure that they are safe before using. Inspect power supply leads, plugs and all electrical connections for wear and damage. Sealey recommend that an RCD (Residual Current Device) is used with all electrical products. You may obtain an RCD by contacting your local Sealey dealer.  
If the Vacuum Cleaner is used in the course of business duties, it must be maintained in a safe condition and routinely PAT (Portable Appliance Test) tested.

Electrical safety information, it is important that the following information is read and understood.

- ✓ Ensure that the insulation on all cables and on the appliance is safe before connecting it to the power supply.
- ✓ Regularly inspect power supply cables and plugs for wear or damage and check all connections to ensure that they are secure.
- ✓ Ensure that the voltage rating on the appliance suits the power supply to be used and that the plug is fitted with the correct fuse - see fuse rating in these instructions.
- \* **DO NOT** pull or carry the appliance by the power cable.
- \* **DO NOT** pull the plug from the socket by the cable.
- \* **DO NOT** use worn or damaged cables, plugs or connectors. Ensure that any faulty item is repaired or replaced immediately by a qualified electrician.

This product is fitted with a BS1363/A 13 Amp 3 pin plug.

If the cable or plug is damaged during use, switch the electricity supply and remove from use.

Ensure that repairs are carried out by a qualified electrician.

Replace a damaged plug with a BS1363/A 13 Amp 3 pin plug. If in doubt contact a qualified electrician.

a) Connect the GREEN/YELLOW earth wire to the earth terminal 'E'.

b) Connect the BROWN live wire to the live terminal 'L'.

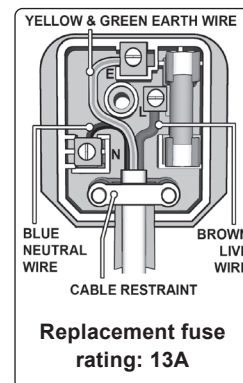
c) Connect the BLUE neutral wire to the neutral terminal 'N'.

Ensure that the cable outer sheath extends inside the cable restraint and that the restraint is tight.

Sealey recommend that repairs are carried out by a qualified electrician.

### 1.2. GENERAL SAFETY

- ✓ Disconnect the cleaner from the power supply before servicing, changing accessories, or performing any maintenance.
- ✓ Use only genuine parts and accessories. Unauthorised parts and accessories may be dangerous and will invalidate your warranty.
- ✓ Maintain the cleaner in good condition. Use an authorised agent for servicing. Keep machine clean, but **DO NOT** use solvents.
- ✓ For dry vacuuming ensure the cartridge filter is firmly in place before operating the cleaner.
- \* **DO NOT** operate the unit without the cartridge filter in place (except when wet vacuuming). **Using the cleaner without a cartridge filter will cause machine faults and will invalidate your warranty.**
- ✓ Wear protective clothing and gloves.
- \* **DO NOT** allow untrained persons to operate the cleaner.
- ✓ **NOTE:** This appliance can be used by children aged from 8 years and above and persons with reduced physical, sensory or mental capabilities or lack of experience and knowledge if they have been given supervision or instruction concerning use of the appliance in a safe way and understand the hazards involved. Children shall not play with the appliance. Cleaning and user maintenance shall not be made by children without supervision.
- \* **DO NOT** place attachments close to your face (especially eyes, ears, etc). **DO NOT** point the hose end at other persons or animals.
- ▲ **DANGER! DO NOT** vacuum hot or glowing ash, cigarette ends, inflammable, explosive, corrosive or other dangerous substances.
- \* **DO NOT** operate the unit without the dust bag or optional cartridge filter (except when wet vacuuming).
- \* **DO NOT** leave machine running unattended. Turn power supply OFF, and **DO NOT** leave the vicinity until motor has come to a complete stop.
- \* **DO NOT** operate the cleaner while under the influence of drugs, alcohol or impairing medication, or if you are tired.
- \* **DO NOT** use the cleaner in the rain or in very damp conditions.
- \* **DO NOT** use the cleaner for a task it is not designed to perform.
- ✓ When not in use, store the cleaner in a safe, dry, childproof location.



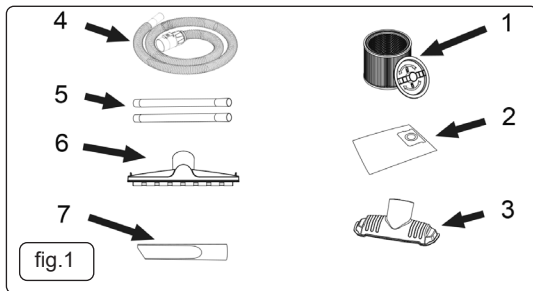
## 2. INTRODUCTION

High powered, lightweight unit with blower facility. Constructed from high impact plastic, the drum unit is mounted on four castor wheels. Tool storage points on head and base. Supplied with 4m cable with 3-pin plug, tool kit, Wet and Dry Cartridge filter.

## 3. SPECIFICATION

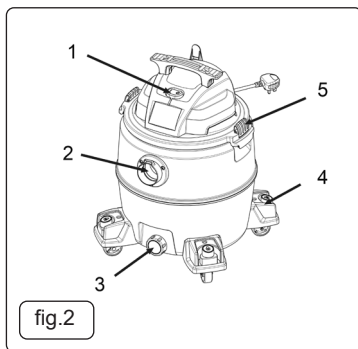
Model No .....PC300.V2  
 Motor..... 1100W  
 Supply..... 230V~50Hz  
 Maximum Vacuum Pressure ..... 165mbar  
 Drum Size ..... 30ltr  
 Vacuum Accessories Ø ..... 48mm

## 4. CONTENTS



Item	Description	Part No.	Qty
1	Cartridge filter	PC300V2CF	1
2	Dust collection bag	PC300V2DB	1
3	Wet / Dry nozzle	PC300.V2-ACC4	1
4	4.8cmx1.8m hose	PC300.V2-ACC1	1
5	Extension tube	PC300.V2-ACC2	2
6	Floor brush	PC300.V2-ACC5	1
7	Crevice nozzle	PC300.V2-ACC3	1

## 5. ASSEMBLY

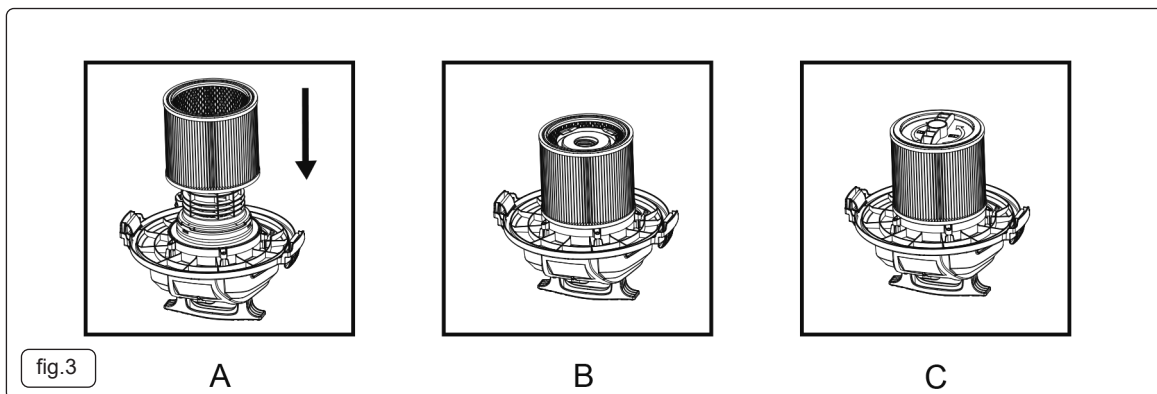


Item	Description
1	Power switch
2	Hose inlet
3	Drain
4	Wheel castor
5	Bin clip

### 5.1. CARTON CONTENT

- 5.1.1. Carefully unpack the carton.
- 5.1.2. Locate the two side clasps (fig.2.5) which hold the top section in place.
- 5.1.3. Undo the clasps, remove the top section and take out the items in the container.
- 5.1.4. Turn the container upside down and insert the four feet with castors into the slots and secure with the supplied screws. **DO NOT** overtighten screws. (fig.2.4)

### 5.2. INSTALLING CARTRIDGE FILTER (fig.3)



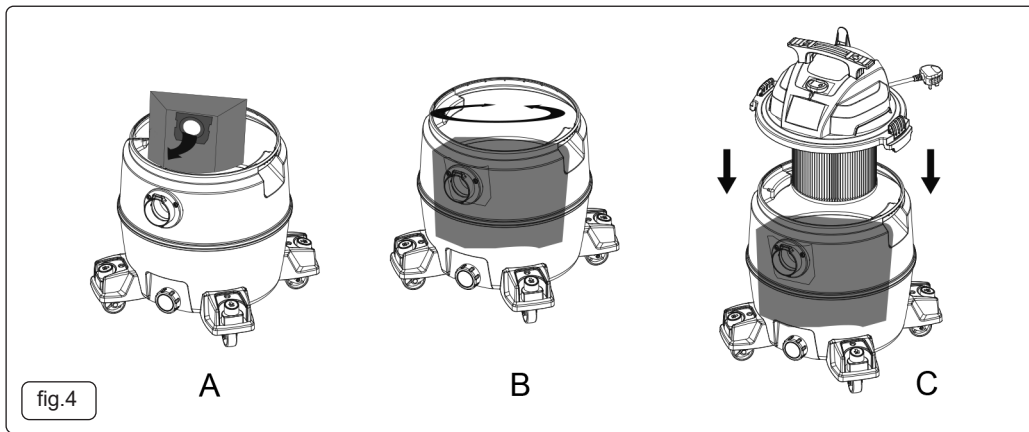
**NOTE:** The cartridge filter can be used for both wet and dry usage.

- 5.2.1. With the top section inverted, slide the filter down over the cage and push the filter seal against the unit (fig.3.A, fig.3.B).
- 5.2.2. Place filter retainer into top of cartridge. Rotate clockwise to tighten, anti-clockwise to loosen (fig.3.C).

**NOTE:** To clean filter, shake or brush off dirt or rinse from the inside with clean water.

**NOTE:** If the filter has been used for wet cleaning it must be cleaned and dried before in dry cleaning.

### 5.3. INSTALLING DUST COLLECTION BAG (fig.4)



- 5.3.1. Slide the cardboard collar of the collection bag opening fully and firmly onto the vacuum port (fig.4.A).
- 5.3.2. Arrange the bag so that it is distributed around the inside of the tank (fig.4.B).
- 5.3.3. Replace and secure the power head onto the tank (fig.4.C).

## 6. OPERATION

### 6.1. DRY VACUUMING

**NOTE:** Ensure the unit is disconnected from the mains power supply before attaching fittings.

**NOTE:** Ensure collection bag is in correct position to reduce risk of leaks (fig.4).

- 6.1.1. Attach required fittings to the hose inlet (fig.2.2).
- 6.1.2. Switch on the power supply and turn on the unit using the power switch (fig.2.1).

### 6.2. WET VACUUMING

**NOTE:** Ensure the unit is disconnected from the mains power supply before attaching fittings.

- 6.2.1. Remove dust collection bag (fig.1.2) if fitted.
- 6.2.2. Ensure filter cartridge is correctly fitted (fig.3).
- 6.2.3. Replace and secure the power head onto the tank (fig.4.C).
- 6.2.4. When wet pick-up is finished, raise the hose to drain any excess liquid into the the tank before shutting off.  
**NOTE:** The unit is equipped with a float mechanism that will automatically cut off the airflow when the liquid in the tank reaches a certain level.

### 6.3. BLOWING OPERATION

**NOTE:** Ensure the unit is disconnected from the mains power supply before attaching fittings.

- 6.3.1. Remove the noise diffuser from the top section (power head) and attach the flexible hose into the blow connection in the top section.
- 6.4. Ensure the power switch is turned off (fig.2.1) and plug in to the power supply.
- 6.5. Switch the unit on (position 'I').
- 6.6. The unit will now blow through the hose and can be used to clear obstructions within the pipe.  
 **WARNING!** If after a few seconds the hose is still blocked, turn off the unit and clear the hose manually.

## 7. MAINTENANCE

**NOTE:** Ensure the unit is disconnected from the mains power supply before attempting any maintenance..

### 7.1. GENERAL MAINTENANCE

- 7.1.1. Disconnect the hose from the container.
- 7.1.2. Undo the clasps and remove motor head from the container.
- 7.1.3. Clear out any dirt or debris from the container and hose.
- 7.1.4. Clean the foam filter by washing it in a mild soapy solution.
- 7.1.5. Check that the telescopic suction tube operates smoothly and check the power cable to make sure it has not received any damage.

### 7.2. DUST COLLECTION BAG MAINTENANCE

- 7.2.1. Handle the bag carefully when cleaning or installing.
- 7.2.2. Carefully remove the bag (fig.4) and inspect it for damage. A dust collection bag that has small holes or tears in it will not perform efficiently and should be replaced. To clean a dry bag, tap it carefully into a waste bin avoiding any spillage.  
  - × **DO NOT** use the dust collection bag if it becomes wet as the filter will clog quickly and be very difficult to clean. (The filter bag is designed for dry vacuuming only). Should the bag be wetted it should be rinsed from the inside and allowed to air dry fully for at least 24 hours. To fit a new/cleaned filter see section 4

### 7.3. CARTRIDGE FILTER MAINTENANCE.

- 7.3.1. Remove the motor head and position upside down, carefully remove the filter (fig.3).  
Use a mild soap and water solution to wash the filter and rinse with clean water.
- 7.3.2. Allow filter to air dry before installing and using again.



#### ENVIRONMENT PROTECTION

Recycle unwanted materials instead of disposing of them as waste. All tools, accessories and packaging should be sorted, taken to a recycling centre and disposed of in a manner which is compatible with the environment. When the product becomes completely unserviceable and requires disposal, drain any fluids (if applicable) into approved containers and dispose of the product and fluids according to local regulations.



#### WEEE REGULATIONS

Dispose of this product at the end of its working life in compliance with the EU Directive on Waste Electrical and Electronic Equipment (WEEE). When the product is no longer required, it must be disposed of in an environmentally protective way. Contact your local solid waste authority for recycling information.

**Note:** It is our policy to continually improve products and as such we reserve the right to alter data, specifications and component parts without prior notice. Please note that other versions of this product are available. If you require documentation for alternative versions, please email or call our technical team on [technical@sealey.co.uk](mailto:technical@sealey.co.uk) or 01284 757505.

**Important:** No Liability is accepted for incorrect use of this product.

**Warranty:** Guarantee is 12 months from purchase date, proof of which is required for any claim.

Sealey Group, Kempson Way, Suffolk Business Park, Bury St Edmunds, Suffolk. IP32 7AR



01284 757500



01284 703534



[sales@sealey.co.uk](mailto:sales@sealey.co.uk)



[www.sealey.co.uk](http://www.sealey.co.uk)