

## Model No's: RB951, RB952, RB953, RB954, RB955.

Thank you for purchasing a Sealey product. Manufactured to a high standard this product will, if used according to these instructions and properly maintained, give you years of trouble free performance.



**IMPORTANT: PLEASE READ THESE INSTRUCTIONS CAREFULLY. NOTE THE SAFE OPERATIONAL REQUIREMENTS, WARNINGS AND CAUTIONS. USE THIS PRODUCT CORRECTLY AND WITH CARE FOR THE PURPOSE FOR WHICH IT IS INTENDED. FAILURE TO DO SO MAY CAUSE DAMAGE OR PERSONAL INJURY, AND WILL INVALIDATE THE WARRANTY. PLEASE KEEP INSTRUCTIONS SAFE FOR FUTURE USE.**

### 1. SAFETY INSTRUCTIONS

#### 1.1 GENERAL SAFETY

- ✓ Familiarise yourself with this product's application and limitations, as well as any specific potential hazards peculiar to the beacon.
- ✓ Replace or repair damaged parts. *Use recommended parts only. Non authorised parts may be dangerous and will invalidate the warranty.*
- ✗ **DO NOT** use the beacon for any purpose other than for which it is designed.
- ✗ **DO NOT** allow children to operate the beacon.
- ✗ **DO NOT** operate the beacon if any parts are missing or damaged as this may cause failure or possible personal injury.
- ✓ When not in use switch the beacon off and where appropriate remove plug from power supply.

### 2. TECHNICAL SPECIFICATIONS

Voltage:.....12V-24V dc  
 Type of Bulb:.....H1 12V 55W - H1 24V 55W  
 Index of protection (EN 60598-1):.....IP56  
 Operating Temperature:.....-30°C to +50°C  
 Radio Interference Filter:.....EC95/54 EMC approved  
 Rotational Speed:.....160 rpm nominal  
 Approvals:.....ECE65

### 3. INTRODUCTION AND FIXING

- Sealey rotating beacons are designed to meet the strictest European standards.
- European, British, and local laws must be observed when using the beacon.
- Heavy-duty ABS base.
- Quick release UV stable dome will not fade in prolonged sunlight.
- Supplied with 12V and 24V bulbs.
- Reverse polarity protected.



#### 3.1 RB951: 12mm Single Bolt Fixing

Fixing Instructions:

- 3.1.1 Drill a 13mm mounting hole in a suitable point on the vehicle.
- 3.1.2 Connect to cables of at least 2mm<sup>2</sup> section and use an 8Amp fuse; check polarities.
- 3.1.3 Fix the beacon by using nuts and washers according to the type and shape of the mounting surface.

## 3.2 RB952: Three Bolt Fixing Base

### Fixing Instructions:

- 3.2.1 Drill mounting holes using the beacon base as a template (3 holes of 6.5mm diameter at 120° on a 130mm diameter circumference). Also make provision to route cables into the vehicle.
- 3.2.2 Connect to cables of at least 2mm<sup>2</sup> section and use an 8Amp fuse; check polarities.
- 3.2.3 Fix the beacon with 3 x M6 screws. (Not supplied).

## 3.3 RB953: Fixed Spigot Base

- Use in connection with DIN spigot (a range of DIN mountings is available: please see Sealey catalogue).
- DIN adaptor mounts to vehicle allowing removal/installation without tools.
- Suitable for situations where security is a problem.

### Fixing Instructions:

- 3.3.1 Fit a suitable adapter socket onto the vehicle. Make sure it is perfectly vertical.
- 3.3.2 Use cables of at least 2mm<sup>2</sup> section and use an 8Amp fuse; check polarities.
- 3.3.3 Push the beacon spigot down fully onto the adapter socket and secure by tightening the wing nut.
- 3.3.4 When the beacon is removed, always close the adapter socket outlet using the rubber cap.

## 3.4 RB954: Magnetic Base

- Fitted with high power magnet strong enough to cope with normal road speeds.
  - Supplied with 3mtr coiled flex and universal auxilliary power outlet plug.
- 3.4.1 The beacon must be placed on a surface parallel to the ground.
  - 3.4.2 The surface should be flat and clean to ensure good adherence.

## 3.5 RB955: Flexible base with DIN spigot mounting.

### Fixing Instructions:

- 3.5.1 Fit a suitable adapter socket onto the vehicle. Make sure it is perfectly vertical.
- 3.5.2 Use cables of at least 2mm<sup>2</sup> section and use an 8Amp fuse; check polarities.
- 3.5.3 Push the beacon spigot down fully onto the adapter socket and secure by tightening the wing nut.
- 3.5.4 When the beacon is removed, always close the adapter socket outlet using the rubber cap.

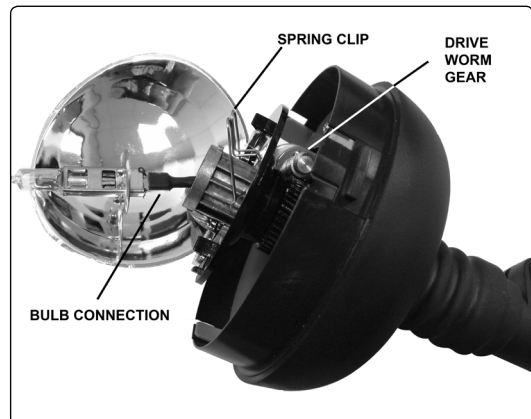
## 4 . VOLTAGE SELECTION

To change voltage, simply fit bulb of appropriate voltage (see section 5). An internal voltage regulator will ensure correct flash speed.

## 5 . CHANGING THE BULB

**⚠ WARNING - NEVER TOUCH THE GLASS BULB WITH YOUR BARE HANDS!** The natural acid will etch the glass and shorten the life of the bulb.

- 5.1 Remove the globe by turning anti-clockwise to unlock and lifting clear.
- 5.2 Rotate the mirror for easy access to the bulb. This can be achieved when beacon is switched off by turning the drive worm gear with a finger tip.
- 5.3 Prise the wire clip clear of the bulb base to release.
- 5.4 Pull the bulb clear and remove the connector beneath the base.
- 5.5 Replace bulb and reassemble.



### Environmental Protection.



Recycle unwanted materials instead of disposing of them as waste. All tools, accessories and packaging should be sorted, taken to a recycle centre and disposed of in a manner which is compatible with the environment.

When the product is no longer required, it must be disposed of in an environmentally protective way. Contact your local solid waste authority for recycling information.

**NOTE:** It is our policy to continually improve products and as such we reserve the right to alter data, specifications and component parts without prior notice.

**IMPORTANT:** No responsibility is accepted for incorrect use of this equipment.

**WARRANTY:** Guarantee is 12 months from purchase date. Proof of purchase will be required for any claim.

**INFORMATION:** Please call us for a copy of our latest catalogue on 01284 757525, leaving your name, address and postcode.



Sole UK Distributor, Sealey Group,  
Kempson Way, Suffolk Business Park, Bury  
St. Edmunds, Suffolk,  
IP32 7AR



01284 757500



www.sealey.co.uk



01284 703534



sales@sealey.co.uk

