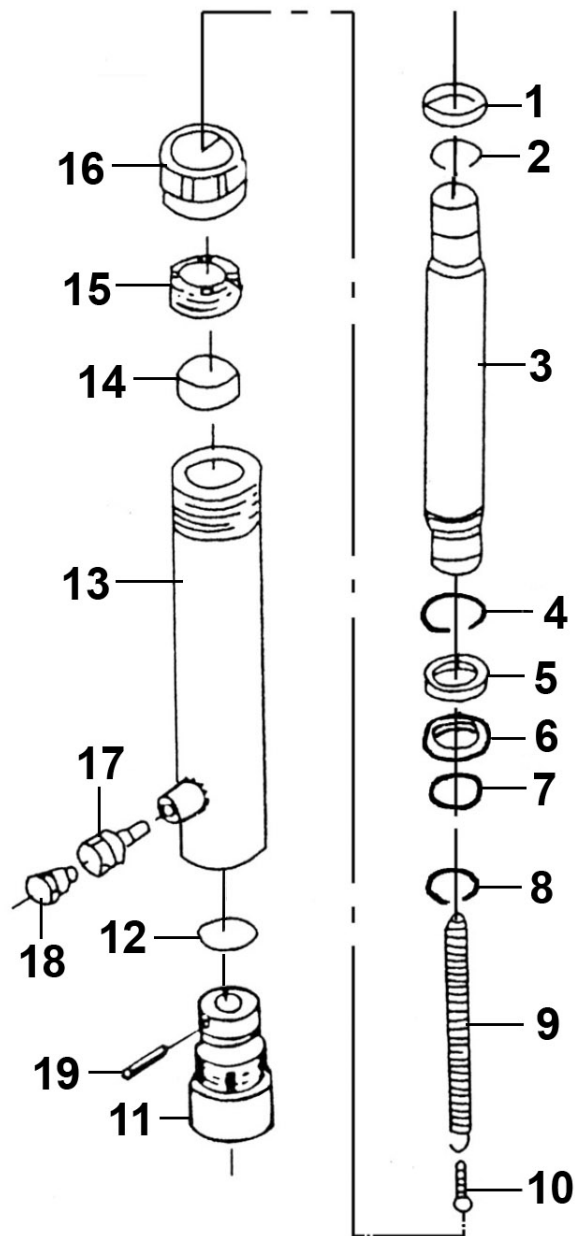


Parts Information:
Push Ram - Midi 4tonne
Model No: RE97XM04



Item	Part No.	Description
1	RE97XM04.01	Collar
2	RE97XM04.02	Snap Ring
3	RE97XM04.03	Piston Rod
4	RE97XM04.04	Snap Ring
5	RE97XM04.05	Bushing
6	RE97XM04.06	Seal
7	RE97XM04.07	Seal
8	RE97XM04.08	Snap Ring
9	RE97XM04.09	Spring
10	RE97XM04.10	Screw

Item	Part No.	Description
11	RE97XM04.11	Cylinder Base
12	MS156.05	O-Ring, (Ex: 35.23 In: 28.17 Cs: 3.53)
13	RE97XM04.13	Cylinder
14	RE97XM04.14	Cylinder Collar
15	RE97XM04.15	Cylinder Screw
16	RE97XM04.16	Thread Protector Ring
17	RE97XS10.06	Quick Coupler
18	RE97XM04.18	Dust Cover
19	RE97XM04.19	Spring Pin

NOTE: It is our policy to continually improve products and as such we reserve the right to alter data, specifications and component parts without prior notice. There may be alternative versions of this product, please contact us should you require this information.

IMPORTANT: No liability is accepted for incorrect use of product. Spare parts must be fitted by a competent person

WARRANTY: Guarantee is 12 months from purchase date, proof of which will be required for any claim.