



COMPRESSOR 150/200ltr BELT DRIVE 3.0hp WITH FRONT CONTROL PANEL

MODEL NO: SAC3153B/SAC3203B

Thank you for purchasing a Sealey product. Manufactured to a high standard, this product will, if used according to these instructions, and properly maintained, give you years of trouble free performance.

IMPORTANT: PLEASE READ THESE INSTRUCTIONS CAREFULLY. NOTE THE SAFE OPERATIONAL REQUIREMENTS, WARNINGS & CAUTIONS. USE THE PRODUCT CORRECTLY AND WITH CARE FOR THE PURPOSE FOR WHICH IT IS INTENDED. FAILURE TO DO SO MAY CAUSE DAMAGE AND/OR PERSONAL INJURY AND WILL INVALIDATE THE WARRANTY. KEEP THESE INSTRUCTIONS SAFE FOR FUTURE USE.



Refer to instruction manual



Warning: Hot surface



Warning: Electricity



Wear ear protection



Wear eye protection



Wear protective clothing



Warning: Automatic startup



Warning:

1. SAFETY

1.1. ELECTRICAL SAFETY.

- ❑ **WARNING!** It is the user's responsibility to read, understand and comply with the following:
You must check all electrical equipment and appliances to ensure they are safe before using. You must inspect power supply leads, plugs and all electrical connections for wear and damage. You must ensure the risk of electric shock is minimised by the installation of appropriate safety devices. An RCCB (Residual Current Circuit Breaker) should be incorporated in the main distribution board. We also recommend that an RCD (Residual Current Device) is used with all electrical products. It is particularly important to use an RCD together with portable products that are plugged into an electrical supply not protected by an RCCB. If in doubt consult a professional electrician. You may obtain a Residual Current Device by contacting your Sealey dealer. You must also read and understand the following instructions concerning electrical safety.

1.1.1. The Electricity At Work Act 1989 requires all portable electrical appliances, if used on business premises, to be tested by a qualified Electrician at least once a year, using a Portable Appliance Tester (PAT).

1.1.2. The Health & Safety at Work Act 1974 makes owners of electrical appliances responsible for the safe condition of the appliance, and the safety of the appliance operator. If in any doubt about electrical safety, contact a qualified Electrician.

1.1.3. Ensure the insulation on all cables and the product itself is safe before connecting to the mains power supply. See 1.1.1. & 1.1.2. above and use a Portable Appliance Tester (PAT).

1.1.4. Ensure that cables are always protected against short circuit and overload.

1.1.5. Regularly inspect power supply, leads, plugs and all electrical connections for wear and damage, especially power connections, to ensure that none are loose.

IMPORTANT: Ensure the voltage marked on the product is the same as the power supply to be used, and check that plugs are fitted with correct capacity fuse.

- ✗ **DO NOT** pull or carry the powered appliance by its power supply lead or output cables.
- ✗ **DO NOT** pull power plugs from sockets by the power cable.
- ✗ **DO NOT** use worn or damage leads, plugs or connections. Immediately replace or have repaired by a qualified Electrician.

1.1.6. Model Nos SAC3153B and SAC3203B are supplied with a flying lead without a plug. Jack Sealey Limited recommend a 16 amp protected supply. When connecting to a 16 amp protected supply, contact a qualified electrician to ensure connect to a suitably rated supply. Provided a good 230V supply is available and the lead length is not increased from that supplied, the compressor may operate from a 13 amp supply. This very much depends upon the quality of your power supply.

1.1.7. Wiring a BS 1363/A UK 3 Pin Plug.

WARNING! If in doubt contact a qualified electrician.

a) Connect the GREEN/YELLOW earth wire to the earth terminal 'E'.

b) Connect the BROWN live wire to the live terminal 'L'.

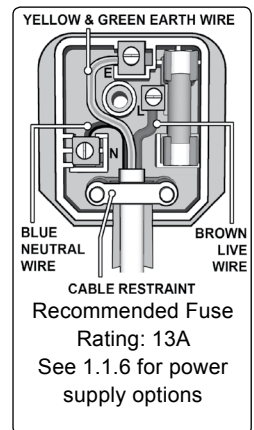
c) Connect the BLUE neutral wire to the neutral terminal 'N'.

d) Ensure that the cable outer sheath extends inside the cable restraint and that the restraint is tight.

Sealey recommend that repairs are carried out by a qualified electrician.

1.2. GENERAL SAFETY INSTRUCTIONS

- ✓ Familiarise yourself with the application and limitations of the compressor.
- ✓ Ensure the compressor is in good order and condition before use. If in any doubt **DO NOT** use the unit and contact an electrician/service agent.
- ❑ **WARNING!** Compressor must only be serviced by an authorised agent. **DO NOT** tamper with, or attempt to adjust, pressure switch or safety valve.
- ✓ Before moving, or maintaining the compressor ensure it is unplugged from the mains supply and that the air tank pressure has been vented.
- ✓ Maintain the compressor in good condition and replace any damaged or worn parts. Use genuine parts only. Unauthorised parts may be dangerous and will invalidate your warranty.
- ✓ Read the instructions relating to any accessory to be used with this compressor. Ensure the safe working pressure of any air appliance used exceeds compressors output pressure. If using a spray gun, check that the area selected for spraying is provided with an air change system/ventilation.



- ✓ Ensure the air supply valve is turned off before disconnecting the air supply hose.
 - ✓ To move a transportable compressor use the handle only. Lift the compressor so that the front leg gives enough clearance for manoeuvring but maintain unit's centre of gravity in front of the wheels. **DO NOT** attempt to lift or move the compressor by any other means.
 - ✓ Use the compressor in a well ventilated area and ensure it is placed on a firm surface.
 - ✓ Keep tools and other items away from the compressor when it is in use, and keep area clean and clear of unnecessary items.
 - ✓ Ensure the air hose is not tangled, twisted or pinched.
 - ✓ Keep children and unauthorised persons away from the working area.
 - ✓ Only move the compressor by the handle if portable.
 - ✗ **DO NOT** dis-assemble compressor for any reason. The unit must be checked by qualified personnel only.
 - ✗ **DO NOT** use the compressor outdoors, or in damp, or wet locations.
 - ✗ **DO NOT** operate within the vicinity of flammable liquids, gases or solids.
 - ✗ **DO NOT** touch compressor cylinder, cylinder head or pipe from head to tank as these may be hot.
 - ✗ **DO NOT** use this product to perform a task for which it has not been designed.
 - ✗ **DO NOT** deface the certification plate attached to the compressor tank.
 - ✗ **DO NOT** cover the compressor or restrict air flow around the unit whilst operating.
 - ▲ **DANGER! DO NOT** direct the output jet of air towards people or animals.
 - ✗ **DO NOT** operate the compressor without an air filter.
 - ✗ **DO NOT** allow anyone to operate the compressor unless they have received full instructions.
 - **WARNING!** The air tank is a pressure vessel and the following safety measures apply:
 - ✗ **DO NOT** tamper with the safety valve, **DO NOT** modify or alter the tank in any way and **DO NOT** strap or weld anything to the tank.
 - ✗ **DO NOT** subject the tank to impact, vibration or to heat and **DO NOT** allow contact with abrasives or corrosives.
 - ✓ Drain condensation from tank daily and inspect inside walls for corrosion every three months and have a detailed tank inspection carried out annually. The tank shell must not fall below the certified thickness at any point.
 - **WARNING!** If an electrical fuse blows, ensure it is replaced with an identical fuse type and rating.
 - ✓ When not in use, store the compressor carefully in a safe, dry, childproof location.
 - ✓ When the compressor is not in use it should be switched off, disconnected from the mains supply and the air drained from the tank.
 - ✗ **DO NOT** carry out any welding operations on any pressurised parts of the vessel.
- 1.3. INSPECTION OF PRESSURE TANK BOTH INTERNAL AND EXTERNAL**
- 1.3.1. Under the **Pressure systems Safety Regulations 2000** it is the responsibility of the owner of the compressor to initiate a system of inspection that both defines the frequency of the inspection and appoints a person who has specific responsibility for carrying out the inspection.

2. INTRODUCTION

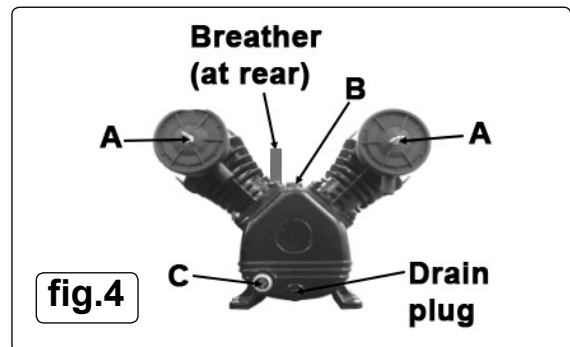
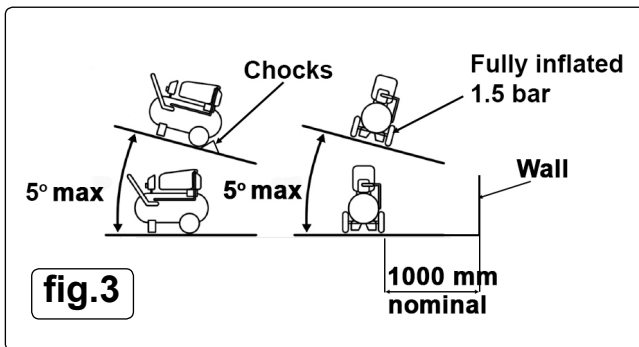
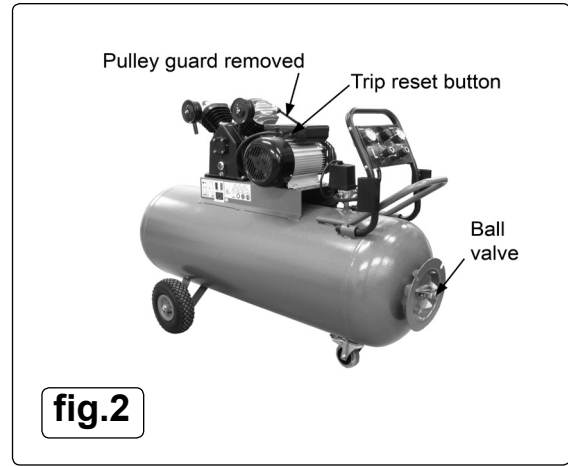
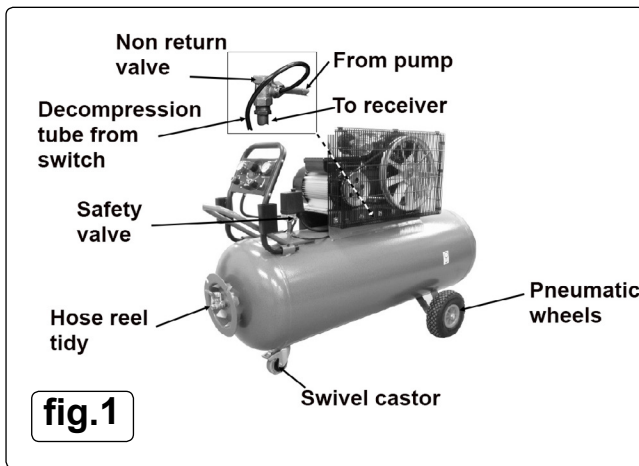
A V-pump belt driven compressor, 150/200ltr, 3hp with bespoke front control panel, with two outlets, one regulated and one direct. The pump features heavy-duty fully cast cylinders, capped by alloy heads for improved heat dissipation and long life. Suitable for professional workshop applications. Powered by a heavy-duty induction motor for reliable operation. Twin capacitors and a centrifugal switch aid trouble free start up on a good 16amp supply (see 1.1.6 for power options). Precision welded receiver tank manufactured to meet Pressure Vessel Directive 2009/105/EC. Fitted with fully automatic pressure cut out switch, air regulator, received and supply pressure gauges. Supplied with handle and wheels for easy manoeuvrability.

3. SPECIFICATION

Model No.	SAC3153B	SAC3203B
Motor Output	3.0hp	3.0hp
Voltage/phase	230V - 1ph	230V - 1 ph
Minimum Rated Supply	16A (see 1.1.6 for power options)	16A (see 1.1.6 for power options)
Speed	1243rpm	1243rpm
Noise Level	96dB(A)	96dB(A)
Air Displacement cfm(ltr/min)	13.4(380)	13.4(380)
Maximum Free Air Delivery cfm(ltr/min)	10.95(310)	10.95(310)
Maximum Pressure	145psi(10bar)	145psi(10bar)
Receiver Capacity	150ltr	200ltr
Outlet	Hi-Flow Quick Release Coupling	Hi-Flow Quick Release Coupling
Size (W x D x H)	1210 x 600 x 970mm	1410 x 600 x 1020mm
Weight	89kg	103kg

4. ASSEMBLY

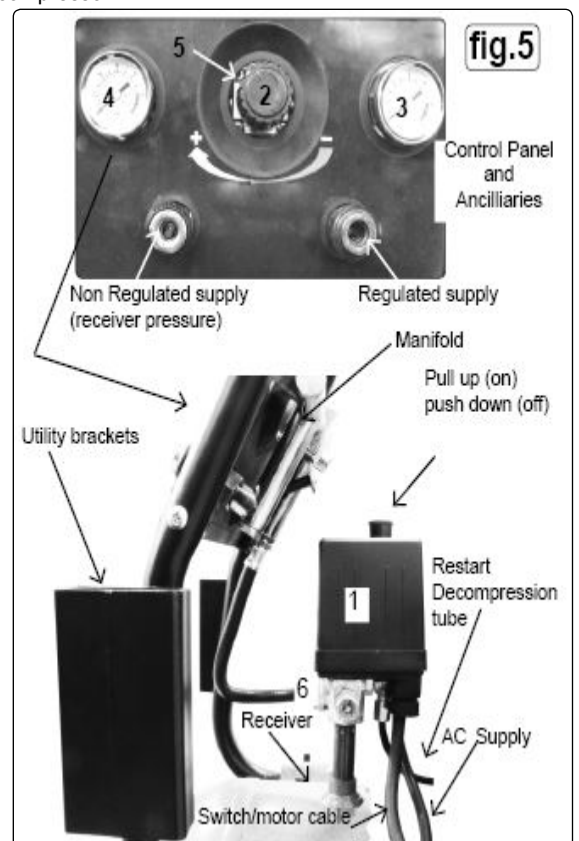
- 4.1. Remove compressor from packaging and inspect for any shortages or damage. If anything is found to be missing or damaged contact your supplier.
- 4.2. Save the packing material for future transportation of the compressor. We recommend that you store the packing in a safe location, at least for the period of the guarantee. Then, if necessary, it will be easier to send the compressor to the service centre.
- 4.3. Confirm that the mains voltage corresponds with the voltage shown on the compressor data plate.
- 4.4. Assemble the wheels and swivel castor using the nuts, bolts and washers supplied (fig.8).
- 4.5. The compressor should be operated on a horizontal flat surface, or one that does not exceed 5° either transversely (tyres fully inflated to 1.5bar) or longitudinally with chocks (fig.3), and should be in a position that allows good air circulation around the unit (see 1000mm nominal).
- 4.6. Before using the compressor check the oil level by referring to the oil sight glass (fig.4C). On a horizontal surface, if the oil level is not up to the red centre mark it should be further topped up with recommended oil (See section 5.7). To top up unscrew plug (fig.4B).



4.7. Screw the back half of a filter unit into the port openings in each head as shown in (fig.4.A). Place a filter cover over each threaded rod protruding from the back half of the filter and secure each with a wing nut. Refer also to (fig.7).

5. OPERATION

- **WARNING!** Ensure that you have read, understood and apply Section 1 safety instructions.
- 5.1. **IMPORTANT.** The use of extension leads to connect this compressor to the mains is not recommended as the resulting voltage drop reduces motor, and therefore pump performance and could damage your compressor.
- 5.2. Take care when selecting tools for use with the compressor. Air tool manufacturers normally express the volume of air to operate a tool in cubic feet per minute (cfm). This refers to free air delivered by the compressor ('air out') which varies according to the pressure setting. **DO NOT** confuse this with the compressor displacement which is the air taken in by the compressor ('air in'). 'Air out' is always less than 'air in' due to losses within the compressor.
- 5.3. **STARTING THE COMPRESSOR.**
 - 5.3.1. Your compressor is fitted with a push/pull type on/off switch to turn the compressor "on" pull the switch knob upwards. To turn the compressor "off" push the knob downwards. (fig.5.1)
 - 5.3.2. Check that the on/off switch is in the "off" position and the regulator tap (fig.5.2) is closed (Zero '0' bar).
 - 5.3.3. Plug mains lead into mains supply and start the compressor pulling the switch knob (fig.5.1) upwards.
 - 5.3.4. Leave the compressor running with no air line or tools connected, and regulator (fig.5.3) set to maximum pressure (fully clockwise). Make sure that the pressure in the tank rises and that the compressor stops automatically when the maximum is reached. This value is written on the specification plate and shown on the gauge (fig.5.4). This may take in excess of 5 minutes. The compressor will now operate automatically. The pressure switch (fig.5.1) stops the motor when the maximum tank pressure is reached and restarts it when pressure falls below the minimum threshold approximately 2bar (29psi) less than the maximum pressure.
 - 5.3.5. Stop the compressor by pushing the switch knob (fig.5.1) downwards. The compressed air inside the compressor head will flow out via the air line tube situated beneath the switch housing. Restart is made easier and prevents the motor from being damaged. **DO NOT**, other than in an emergency, stop the compressor by switching off the mains power, or by pulling the plug out, as the pressure relief will not then occur and motor damage may result upon restart.



When the compressor runs correctly and is stopped correctly there will be:

- (a) A whistle of compressed air when the motor stops,
- (b) A protracted whistle (about 20-25 seconds) when the compressor starts with no pressure in the tank.

- 5.3.6. The output pressure is regulated by the pressure regulator (fig.5.2). Turn the knob clockwise to increase pressure and counter-clockwise to reduce it. The knob can be locked at any required setting by tightening the locking ring (fig.5.5) up against the underside of the knob. To determine the correct working pressure for any piece of equipment check the corresponding manual. When the compressor is not being used set the regulated pressure to zero so as to avoid damaging the pressure reducer.

NOTE: a) If the motor does not cut in and out, but runs continuously when using an air appliance, the capacity of the compressor may be too small for the equipment or tool.

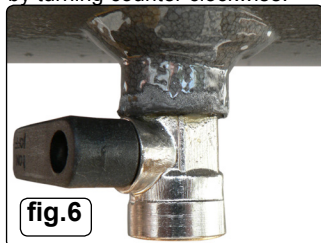
b) The gauge (fig.5.4) indicates the pressure inside the main tank. The gauge (fig.5.3) indicates the pressure supplied to the air equipment. Should the pressure in the main tank exceed the pre-set switch (fig.5.1) maximum, the safety valve (fig.5.6) will activate.

- **WARNING!** For this reason **DO NOT** tamper with, or adjust, the switch or safety valve.
- 5.3.7. The compressor is fitted with a reset trip, located in the connection box on top of the motor. The reset button is on the side of the box (fig.2). Should the trip activate, leave for 1 minute before pressing the button to reset. For possible causes of trip activation and remedies see section 6 Troubleshooting.

6. MAINTENANCE

In order to keep the compressor in good working condition, periodic maintenance is essential.

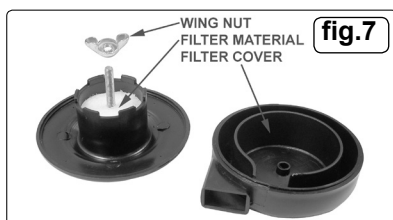
- **WARNING!** Before performing any maintenance operation, switch off the compressor, disconnect from electricity supply and release all air from the tank.
- IMPORTANT!** Failure to carry out maintenance tasks may invalidate the warranty on your compressor.
- 6.1. OPERATIONS TO BE CARRIED OUT AFTER THE FIRST 5 WORKING HOURS:
a) Check that all bolts/nuts are tight, particularly those retaining the crank case and cylinder head.
- 6.2. OPERATIONS TO BE CARRIED OUT AFTER THE FIRST 50 WORKING HOURS:
b) Replace the lubricating oil - see para 5.5.
- 6.3. OPERATIONS TO BE CARRIED OUT DAILY:
a) Drain condensation by opening the valve located under the tank (fig.6). Place a container under the valve and slowly open the valve by turning counter clockwise.

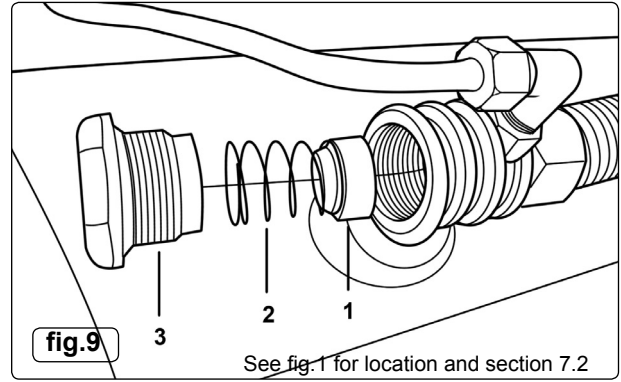
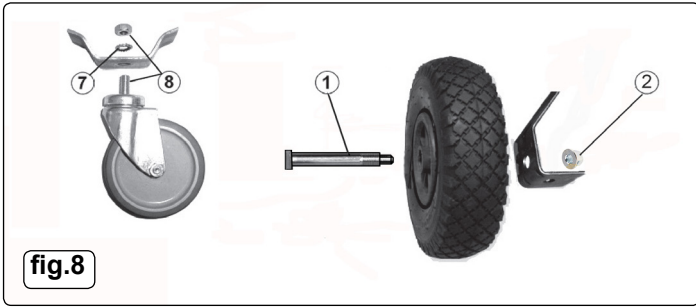


Drain valve on underside of receiver.

Ensure shut on start up (4.3) and drain daily (5.3.)

- 6.4. OPERATIONS TO BE CARRIED OUT EVERY 100 HOURS (or more frequently, if the compressor operates in a very dusty atmosphere).
a) Check oil level and, if necessary, top up.
b) Remove the filter elements (See fig.7) and clean with compressed air (wear eye protection). **DO NOT** operate the compressor without the filters as foreign bodies or dust could seriously damage the pump.
c) Check for oil leaks.
- 6.5. OPERATIONS TO BE CARRIED OUT EVERY 200 HOURS:
a) Replace the lubricating oil. For oil specifications see 5.7.
Remove the oil filler plug (see fig.4.B) then unscrew oil drain plug (see fig.4) and drain the oil into a container. Drain when the compressor is hot so that oil drains rapidly and completely. Incline compressor to ensure complete drainage. Replace oil drain plug and refill through the oil filler aperture. **DO NOT** overfill. Replace oil filler plug.
b) Check the automatic cut-out at max. pressure and the automatic cut-in at 2bar below.
- **WARNING!** Never mix different oils and **DO NOT** use non-detergent/low quality oils as the compressor may be damaged.
 - **WARNING!** Dispose of waste oil only in accordance with local authority requirements.
- 6.6. OPERATIONS TO BE CARRIED OUT EVERY 500 HOURS:
a) Replace air filter. (See fig.7)
b) Check all tube fittings and electrical connections.
- 6.7. Recommended oil for compressors, suitable for room temperatures ranging from +5°C to +25°C. SEALEY CPO or equivalent SAE 40 compressor oil. Room temperature below +5°C: SAE 20 compressor oil.
- **IMPORTANT WARNING** - Air contaminants taken into the compressor will affect optimum performance. Example: Body filler dust or paint overspray will clog the pump intake filter and may cause internal damage to pump/motor components. Please note that any parts damaged by any type of contamination will not be covered by warranty.
- 6.8. Inspection of pressure tank both inside and out.
Under the PRESSURE SYSTEMS SAFETY REGULATIONS 2000 it is the responsibility of the owner of the compressor to initiate a system of inspection that both defines the frequency of the inspection and appoints a person who has specific responsibility for carrying out the inspection.





7. TROUBLESHOOTING

FAULT	POSSIBLE CAUSE	REMEDY
1A) Pressure drop in the tank	Air leaks at connections	Run compressor to max. pressure, switch off. Brush soap solution over connections and look for bubbles. Tighten connections showing leaks. If problem persists contact Authorised Service Agent
1B) Pressure drop in the tank	Air leaks from safety valve	It should be replaced, unless leaking at a joint which can be sealed.
1C) Pressure drop in the tank	Air leaks from cylinder head gasket	Check tightness of head bolts. If leak continues contact authorised Service Agent
2) Pressure switch valve leaks when compressor is idle	Non-return valve seal defective	Empty the air tank. Referring to fig.9, remove the non-return valve cap (3), spring (2) and seal (1). Clean the seal and its seat, or if necessary replace the seal
3) Air leaks from tank body or tank welds	Internal corrosion caused by infrequent tank draining or non permitted modifications to tank	Tank could rupture or explode. Cannot be repaired DISCONTINUE USE IMMEDIATELY
4A) Motor stops and will not restart	Thermal cut out has operated	Allow unit to cool for 30 minutes before restarting
4B) Motor stops and will not restart	Supply fuse has tripped	Press trip reset button (fig.2) and restart unit. If repeated tripping occurs replace the check valve or contact authorised Service Agent
5) Compressor stops and does not restart	Motor failure	Contact Authorised Service Agent
6A) Compressor does not stop at max. pressure	Pressure switch fault	Contact Authorised Service Agent
6B) Compressor does not stop at max. pressure	Filter clogged Head gasket or valve fault	Replace filter element. Contact Authorised Service Agent
7) Compressor noisy with metallic knock	Bearing or piston damage	Contact Authorised Service Agent
8) Excessive moisture in discharged air	High humidity environment	Drain tank after each use



WEEE REGULATIONS

Dispose of this product at the end of its working life in compliance with the EU Directive on Waste Electrical and Electronic Equipment (WEEE). When the product is no longer required, it must be disposed of in an environmentally protective way. Contact your local solid waste authority for recycling information.



ENVIRONMENT PROTECTION

Recycle unwanted materials instead of disposing of them as waste. All tools, accessories and packaging should be sorted, taken to a recycling centre and disposed of in a manner which is compatible with the environment. When the product becomes completely unserviceable and requires disposal, drain any fluids (if applicable) into approved containers and dispose of the product and fluids according to local regulations.

Note: It is our policy to continually improve products and as such we reserve the right to alter data, specifications and component parts without prior notice.

Important: No Liability is accepted for incorrect use of this product.

Warranty: Guarantee is 12 months from purchase date, proof of which is required for any claim.

Sealey Group, Kempson Way, Suffolk Business Park, Bury St Edmunds, Suffolk. IP32 7AR



01284 757500



01284 703534



sales@sealey.co.uk



www.sealey.co.uk