



# OSCILLATING BELT/SPINDLE SANDER 230V

MODEL NO: **SM1300**

Thank you for purchasing a Sealey product. Manufactured to a high standard, this product will, if used according to these instructions, and properly maintained, give you years of trouble free performance.

**IMPORTANT:** PLEASE READ THESE INSTRUCTIONS CAREFULLY. NOTE THE SAFE OPERATIONAL REQUIREMENTS, WARNINGS & CAUTIONS. USE THE PRODUCT CORRECTLY AND WITH CARE FOR THE PURPOSE FOR WHICH IT IS INTENDED. FAILURE TO DO SO MAY CAUSE DAMAGE AND/OR PERSONAL INJURY AND WILL INVALIDATE THE WARRANTY. KEEP THESE INSTRUCTIONS SAFE FOR FUTURE USE.



Refer to instructions



Wear eye protection



Wear ear protection



Wear a mask

## 1. SAFETY

### 1.1. ELECTRICAL SAFETY

- ❑ **WARNING!** It is the user's responsibility to check the following:

Check all electrical equipment and appliances to ensure that they are safe before using. Inspect power supply leads, plugs and all electrical connections for wear and damage. Sealey recommend that an RCD (Residual Current Device) is used with all electrical products. You may obtain an RCD by contacting your local Sealey dealer.

if the product is used in the course of business duties, it must be maintained in a safe condition and routinely PAT (Portable Appliance Test) tested.


Electrical safety information, it is important that the following information is read and understood.

- 1.1.1. Ensure that the insulation on all cables and on the appliance is safe before connecting it to the power supply.
- 1.1.2. Regularly inspect power supply cables and plugs for wear or damage and check all connections to ensure that they are secure.
- 1.1.3. **Important:** Ensure that the voltage rating on the appliance suits the power supply to be used and that the plug is fitted with the correct fuse - see fuse rating in these instructions.

- \* **DO NOT** pull or carry the appliance by the power cable.
- \* **DO NOT** pull the plug from the socket by the cable. Remove the plug from the socket by maintaining a firm grip on the plug.
- \* **DO NOT** use worn or damaged cables, plugs or connectors. Ensure that any faulty item is repaired or replaced immediately by a qualified electrician.

- 1.1.4. This product is fitted with a BS1363/A 13 Amp 3 pin plug.

If the cable or plug is damaged during use, switch the electricity supply and remove from use. Replace a damaged plug with a BS1363/A 13 Amp 3 pin plug. If in doubt contact a qualified electrician.

Class II products are wired with live (brown) and neutral (blue) only are marked with the  Class II symbol;

A) Connect the BROWN live wire to the live terminal 'L'.

B) Connect the BLUE neutral wire to the neutral terminal 'N'.

C) After wiring, check that there are no bare wires and ensure that all wires have been correctly connected.

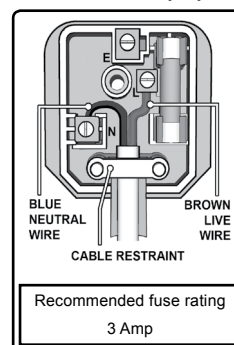
Ensure that the cable outer sheath extends inside the cable restraint and that the restraint is tight.

- \* **DO NOT** connect either wire to the earth terminal.

Sealey recommend that repairs are carried out by a qualified electrician.

### 1.2. GENERAL SAFETY

- ✓ Familiarise yourself with the application, limitations and potential hazards of the machine.
- ❑ **WARNING!** Ensure all Health and Safety, local authority, and general workshop practice regulations are strictly adhered to.
- ❑ **WARNING!** Disconnect from the electric power supply before changing accessories, servicing or performing any maintenance.
- ❑ **WARNING! DO NOT** sand any materials containing asbestos.
- ✓ Maintain the machine and keep in good condition (use an authorised service agent).
- ✓ Check the alignment of moving parts regularly. For safest performance keep the machine clean at all times.
- ✓ Before each use check all abrasive attachments for condition. If worn or damaged replace immediately.
- ✓ Replace or repair damaged parts. Use recommended parts only. Unauthorised parts are dangerous and will invalidate the warranty.
- ✓ Locate the machine in a suitable area. Keep area clean, uncluttered and ensure there is adequate lighting.
- ✓ Ensure the machine is situated on a solid work surface, adequate for supporting the weight of the machine and the workpiece.
- ✓ Ensure there are no flammable or combustible materials near the work area.
- ✓ Remove ill fitting clothing, ties and loose jewellery, and tie back long hair.
- ✓ Maintain correct balance and footing, ensure the floor is not slippery and wear non-slip shoes.
- ✓ Keep hands and body clear of the worktable when operating the machine.
- ✓ Wear approved safety eye or face protection when operating the machine. If dust is generated respiratory protection must be worn.
- \* **DO NOT** operate the machine when you are tired or under the influence of alcohol, drugs or intoxicating medication.
- \* **DO NOT** leave the machine running unattended.
- \* **DO NOT** touch the abrasive whilst operating, or whilst sander is plugged into the electric supply.
- \* **DO NOT** switch the machine on while the workpiece is in contact with the abrasive.
- \* **DO NOT** operate the machine if any parts are damaged or missing as this may cause failure or possible personal injury.
- \* **DO NOT** allow children or untrained persons to operate the machine. Keep them away from the work area.
- \* **DO NOT** use the machine for any purpose other than wood finishing.
- ✓ When not in use unplug from the mains electrical supply and store in a safe, dry, childproof location.



### 1.3. LEAD PAINT WARNING!

Paint once contained lead as a traditional ingredient. Contact with the dust from the removal of such paint is toxic and must therefore be avoided. The following action must be taken before using the sander on a surface that you suspect may contain lead paint.

1. User must determine potential hazard relating to age of paint to be removed (modern paints do not have lead content).
2. **DANGER!** Keep all persons and pets away from the work area.
3. We recommend personal protection by using the following safety items:
  - a) Paint Spray Respirator (Our ref SSP16EN)
  - b) PE Coated Hooded Coverall (Our ref SSP266).
  - c) Latex Gloves (Our ref SSP24).
4. Take adequate measures to contain the paint dust, flakes and scrapings.
5. Continue to wear safety equipment as in (3) above and thoroughly clean all areas when task is complete. Ensure paint waste is disposed of, in sealed bags or containers, according to local regulations.

## 2. INTRODUCTION

Oscillating belt and bobbin sander with dust extraction port. The oscillation allows faster sanding and prevents burning of the workpiece. Features a tilting front table up to 48° for bevel sanding and has indents at popular angles 0°, 15°, 22.5°, 30° & 45°. For convenience all sanding parts and accessories have allocated slots in the housing for storage when not in use. Easily change the belt sander to a bobbin sander or vice versa with the supplied wrench. Supplied with 4" x 24" belt and the following bobbin sanders: 1/2", 3/4", 1", 1-1/2", 2".

## 3. SPECIFICATION

Model No:.....	SM1300
Motor Power:.....	450W - 230V
No Load Speed (Spindle/Belt):.....	2000/1750rpm
Oscillations:.....	60opm
Belt Size:.....	.610 x 102mm
Spindle Height:.....	102mm
Table Tilt:.....	0-48°
Table Size: .....	.489 x 483mm
Bobbins Included:.....	13, 19, 25, 38, 50mm
Dust Extraction Port ID/OD .....	Ø36/Ø39mm
Weight:.....	18kg



## 4. CONTENTS

The following items are included with your tool:

- Oscillating Edge Belt/Spindle Sander (1)
- Throat Plates (5)
- Wrench
- Knob
- Flat Washers (3)
- Spindle Nut
- Sanding Sleeves (5)
- Sanding Drums (4)
- Sanding Belt Assembly
- Table Insert
- Operator's Manual

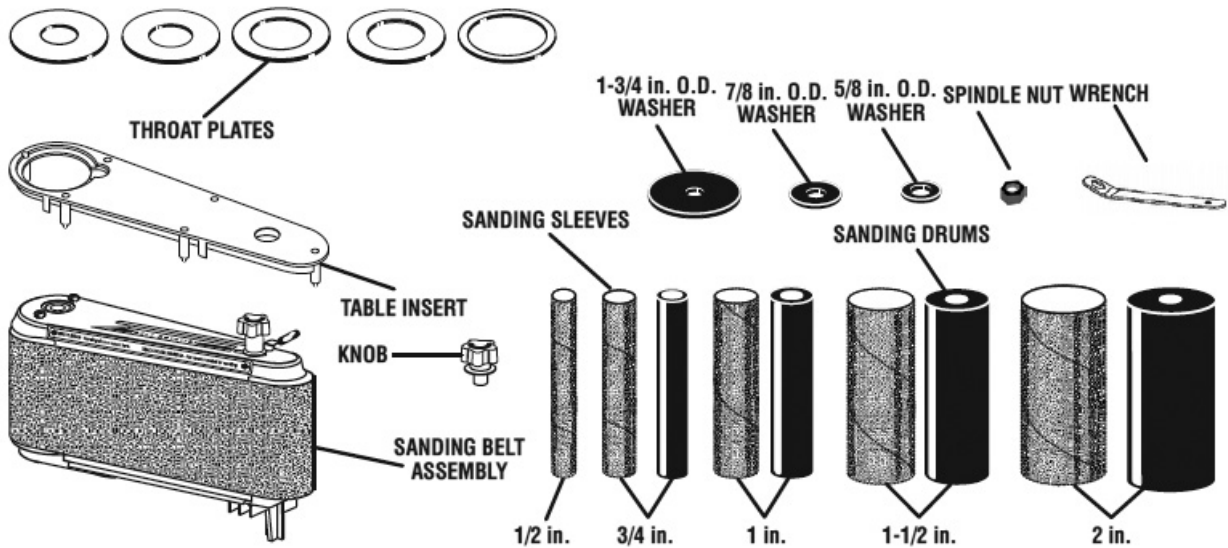


fig.1

## 5. ASSEMBLY

### 5.1. INSTALLING THE SANDING BELT ASSEMBLY

- 5.1.1. Slide the fan onto the motor shaft (fig.2) with the vanes facing down. Rotate the fan gently until it engages with the lugs on the drive shaft.
- 5.1.2. Slide the belt assembly down the drive shaft (fig.3). Align the drum drive splines with the slots in the fan.
- 5.1.3. Place the foot of the sanding belt assembly into the nylon wear plate.
- 5.1.4. Tighten the spindle knob.
- 5.1.5. Fit the sanding belt (see section 6.3).

### 5.2. REMOVING THE SANDING BELT ASSEMBLY

- 5.2.1. Loosen the work rest knob and pivot the work rest clear. Tighten the knob.
- 5.2.2. Remove the spindle knob and lift the spindle belt assembly off.
- 5.2.3. Store the belt assembly in the pocket at the rear of the base.

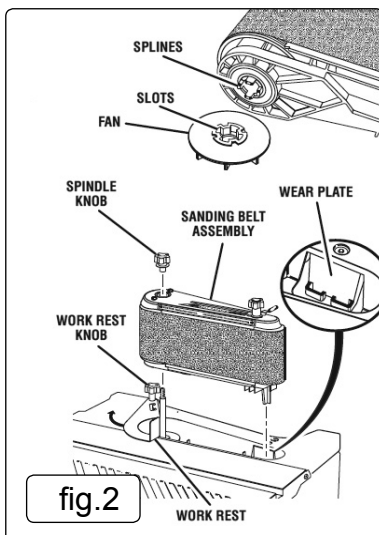


fig.2

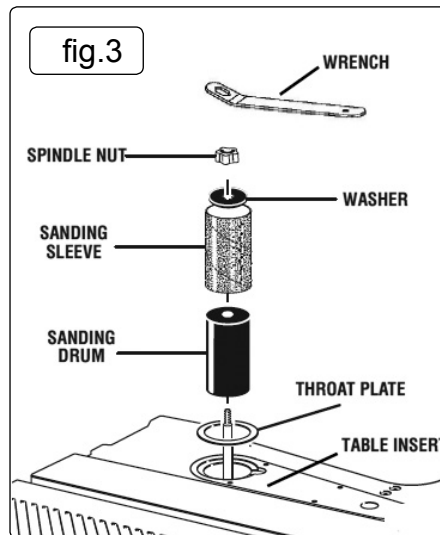


fig.3

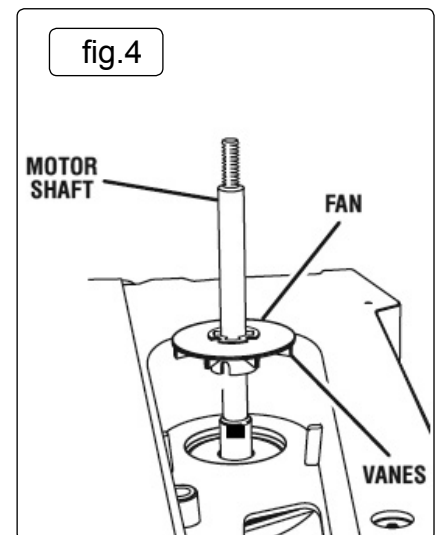
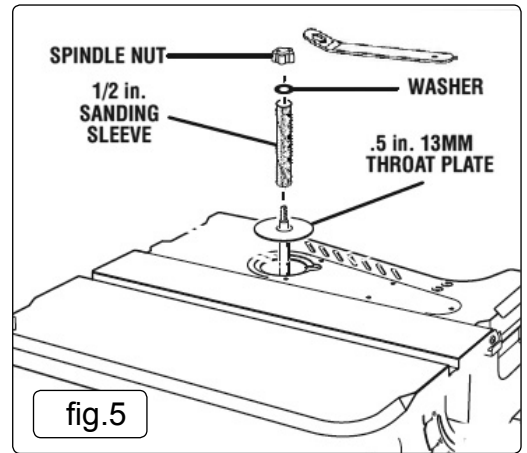


fig.4

**5.3. INSTALLING SANDING SLEEVES OVER 1/2" DIAMETER (fig.4)**

- 5.3.1. Fit the fan as in 5.1.1.
- 5.3.2. Install the table insert by sliding it into position over the fan. Ensure that the table insert is flush with the table.
- 5.3.3. Insert appropriate throat plate (see section 5.5.)
- 5.3.4. Slide the appropriate rubber sanding drum onto the spindle.
- 5.3.5. Slide the required sanding sleeve onto the drum.  
**Note:** If the drum or sleeve proves difficult to slide on, apply talcum powder.
- 5.3.6. Install the correct spindle washer and tighten the spindle nut, taking care not to overtighten.



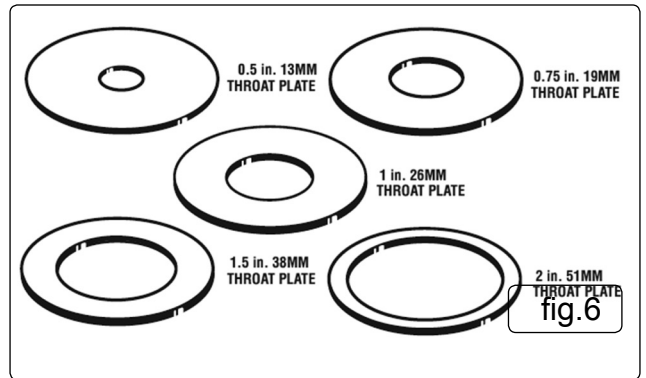
**5.4. INSTALLING 1/2" DIAMETER SANDING SLEEVES (fig.5)**

- 5.4.1. Fit the fan as in 5.1.1.
- 5.4.2. Install the table insert, ensuring that the table insert is flush with the table.
- 5.4.3. Fit the 13mm throat plate.
- 5.4.4. Slide the 1/2" sanding sleeve over the spindle. (The rubber drum is not used).
- 5.4.5. Install the upper spindle washer and tighten the spindle nut, taking care not to overtighten.

**5.5. SELECTING THROAT PLATES AND UPPER SPINDLE WASHERS**

- ❑ **WARNING!** Incorrect throat plate selection could lead to debris being wedged between the abrasive surface and the insert and possible risk of injury.  
**NOTE:** Always use the smallest throat plate that will fit over required drum.

Sanding Sleeve Diameter	Throat plate Insert Opening Inside Diameter (I.D.)	Upper Spindle Washer
1/2 in.	.5 in. 13mm	small
3/4 in.	.75 in. 19mm	middle
1 in.	1 in. 26mm	
1-1/2 in.	1.5 in. 38mm	big
2 in.	2 in. 51mm	



**6. OPERATION**

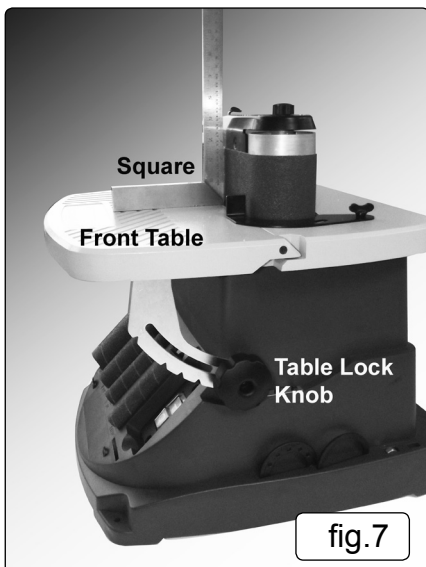
- ❑ **WARNING!** Ensure that you have read, understand and apply the safety instructions in Section 1.

**6.1. SWITCHING ON and OFF**

- 6.1.1. Switch on by means of the "On" (I) switch and allow to run up to speed before use.
- 6.1.2. Switch off by pressing the "Off" (O) switch. This stands proud of the switch casing for emergency use.
- 6.1.3. The saw is fitted with a no-voltage-release switch: if the electric supply fails whilst the machine is running, it will not restart until the "On" switch is pressed.

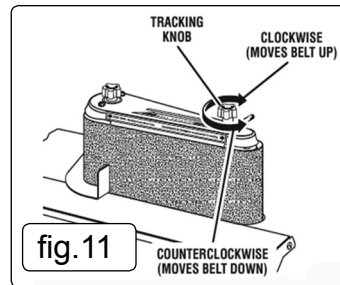
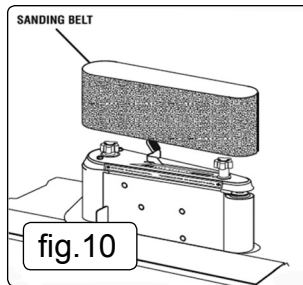
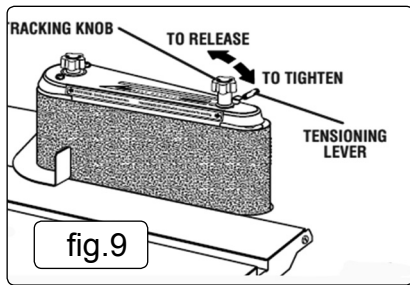
**6.2. ADJUSTMENTS**

- 6.2.1. To true the front table: place a square (not provided) between the table and the belt (fig.7). If the angle is not 90°, loosen the table lock knobs (either side) and move the front table to the exact angle. Tighten the table lock knobs.
- 6.2.2. To adjust the front table angle: loosen the lock table knobs and move the table to the required angle (fig.8). Tighten the table lock knobs.



### 6.3. REMOVING/FITTING THE SANDING BELT

- 6.3.1. Slide the tension lever to the right to release belt tension (fig.9).
- 6.3.2. Remove the sanding belt.
- 6.3.3. Place the replacement sanding belt over the drums (fig.10). Ensure that the belt is centred on the drums.
- 6.3.4. Slide the tensioning lever to the left to tension the belt.
- 6.3.5. Run the machine briefly to check that the belt is running true.
- 6.3.6. If the belt runs toward the table, turn the tracking knob 1/4 turn clockwise and vice versa (fig.11).
- 6.3.7. If the belt still runs out of true, repeat 6.3.6. until correct.

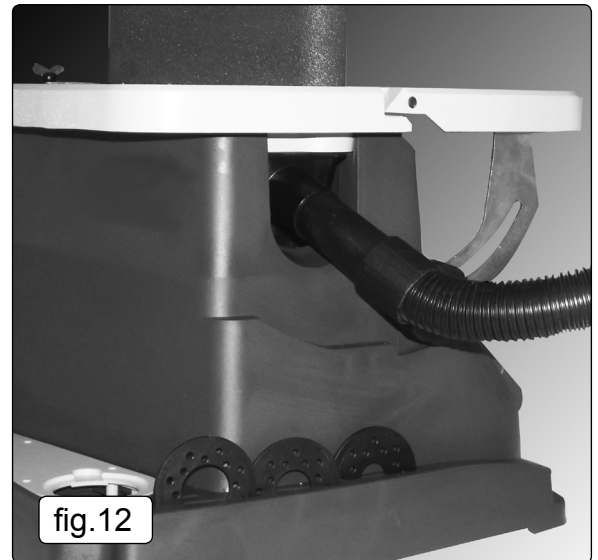


### 6.4. DUST EXTRACTION

- 6.4.1. A vacuum cleaner may be connected to the extraction port to reduce airborne dust (fig.12).

## 7. MAINTENANCE

- 7.1. No lubrication is required as all bearings are lubricated for life.
- 7.2. Cleaning: **DO NOT** use abrasive or solvent cleaners; clean with a damp soapy cloth only.
- 7.3. **NOTE:** Even if coupled to a vacuum extraction system, dust is likely to collect in the recess in the table. Periodic cleaning is necessary to maintain the performance of the machine



#### ENVIRONMENT PROTECTION

Recycle unwanted materials instead of disposing of them as waste. All tools, accessories and packaging should be sorted, taken to a recycling centre and disposed of in a manner which is compatible with the environment. When the product becomes completely unserviceable and requires disposal, drain any fluids (if applicable) into approved containers and dispose of the product and fluids according to local regulations.



#### WEEE REGULATIONS

Dispose of this product at the end of its working life in compliance with the EU Directive on Waste Electrical and Electronic Equipment (WEEE). When the product is no longer required, it must be disposed of in an environmentally protective way. Contact your local solid waste authority for recycling information.

**Note:** It is our policy to continually improve products and as such we reserve the right to alter data, specifications and component parts without prior notice.

**Important:** No Liability is accepted for incorrect use of this product.

**Warranty:** Guarantee is 12 months from purchase date, proof of which is required for any claim.

Sealey Group, Kempson Way, Suffolk Business Park, Bury St Edmunds, Suffolk. IP32 7AR



01284 757500



01284 703534



sales@sealey.co.uk



www.sealey.co.uk