



INSTRUCTION MANUAL FOR:
WALL OR FLOOR MOUNTED TYRE RACK

MODEL No: **STR001**

Thank you for purchasing a Sealey product. Manufactured to a high standard this product will, if used according to these instructions and properly maintained, give you years of trouble free performance.

IMPORTANT: PLEASE READ THESE INSTRUCTIONS CAREFULLY. NOTE THE SAFE OPERATIONAL REQUIREMENTS, WARNINGS & CAUTIONS. USE THE PRODUCT CORRECTLY AND WITH CARE FOR THE PURPOSE FOR WHICH IT IS INTENDED. FAILURE TO DO SO MAY CAUSE DAMAGE OR PERSONAL INJURY, AND WILL INVALIDATE THE WARRANTY. PLEASE KEEP INSTRUCTIONS SAFE FOR FUTURE USE.

1. SAFETY INSTRUCTIONS

1.1 GENERAL SAFETY

- ❑ **WARNING!** Ensure Health & Safety, and local authority regulations are adhered to when assembling and using this tyre rack.
- ✓ Locate tyre rack in a suitable area where it will not be an obstruction.
- ✓ Keep the general area clean, uncluttered and ensure there is adequate lighting.
- ❑ **WARNING!** Erect tyre rack on a level and solid surface such as concrete or on a flat and solid wall such as breeze block.
- ✓ The tyre rack should be secured to the wall in a suitable location with adequate fixings
- ✗ **DO NOT** attempt to wall mount the tyre rack on your own. Obtain assistance or use manual handling equipment.
- ✓ Wall mount the tyre rack at such a height that minimises the risk of injury when loading and unloading.
- ✓ Keep children and unauthorised persons away from the storage area.
- ✗ **DO NOT** use the tyre rack for any purpose other than that for which it is designed.
- ✗ **DO NOT** site the tyre rack out of doors.
- ✗ **DO NOT** get the tyre rack wet or use in damp or wet locations or areas where there is condensation.
- ✗ **DO NOT** clean the tyre rack with any solvents which may damage the coated surface.
- ✗ **DO NOT** overload the tyre rack when wall mounted.
- ✓ Ensure that the tyre rack is properly assembled before loading it with heavy tyres.
- ✓ Maximum load for tyre rack is 90kg when wall mounted.
- ✓ Where possible heavier items should be evenly distributed across the tyre rack.

2. INTRODUCTION

Wall or floor mounted tyre rack helps keep work area tidy and securely houses up to thirteen tyres. Steel construction with a powder coated finish giving anti-corrosion resistance. Holds up to 90kg when wall mounted.

Model:..... **STR001**
 Overall Size (W x D x H) 1680 x 740 x 710mm
 Useable Minimum Width 1215mm
 Useable Maximum Width 1570mm

3. CONTENTS

Carefully unpack the product and check the contents as detailed in Fig.1. Should any items be missing or damaged contact your Sealey stockist.

Environmental Protection



Recycle unwanted materials instead of disposing of them as waste. All tools, accessories and packaging should be sorted, taken to a recycling centre and disposed of in a manner which is compatible with the environment.

When the product becomes completely unserviceable and requires disposal, drain off any fluids (if applicable) into approved containers and dispose of the product and the fluids according to local regulations.

NOTE: It is our policy to continually improve products and as such we reserve the right to alter data, specifications and component parts without prior notice.

IMPORTANT: No liability is accepted for incorrect use of this product.

WARRANTY: Guarantee is 12 months from purchase date, proof of which will be required for any claim.

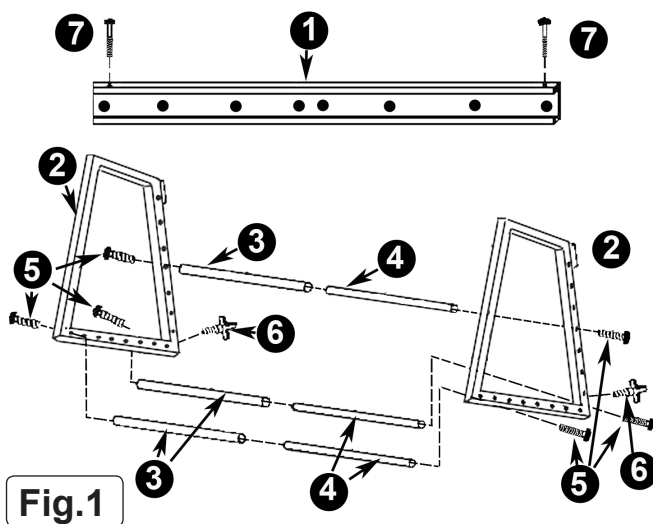


Fig.1

Item	Description	Qty	Item	Description	Qty
1.	Beam	1	5.	Screw M10x50	6
2.	Upright	2	6.	Handwheel	2
3.	Bar	3	7.	Screw M6x65	2
4.	Extension	3			

4. ASSEMBLY

- ❑ **WARNING!** Before assembly and use ensure you have read, understood and apply Section 1 safety instructions.

4.1 Assembling the frame (refer to fig.1).

- 4.1.1 Slide the extension bars (4) into the bars (3) ensuring that the threaded holes are facing outwards.
- 4.1.2 Align two of the assembled bars (3&4) to opposing holes on the lower sections of the uprights (2). Ensure that the assembled bars (3&4) are spaced correctly for the size of tyres to be stored. Secure the assembled bars (3&4) in place using the M10x50 screws (5).
- 4.1.3 Align the remaining assembled bar (3&4) to opposite holes in the rear sections of the uprights (2) and secure in place using M10x50 screws (5).

4.2 Wall mounting.

- 4.2.1 Secure the beam (1) with adequate fixings to a wall capable of holding the weight of the rack and the load required. Position at a height that will minimise the risk of injury when loading and unloading.
- 4.2.2 Screw the handwheels (6) to the rear of the uprights (2).
- 4.2.3 Slide the assembled frame on the beam (1). Fit the securing screws (7) to the beam (1). Adjust the handwheels (6) until the frame sits square to the wall.
- 4.2.4 Slide the frame to the required width before loading.



Sole UK Distributor, Sealey Group,
 Kempson Way, Suffolk Business Park,
 Bury St. Edmunds, Suffolk,
 IP32 7AR

01284 757500

www.sealey.co.uk

01284 703534

sales@sealey.co.uk