

Item	Part No.	Description
1	YC10B.V2-01	PUMP
2	YC10B.V2-02	EXTENSION TUBE (LONG)
3	YC10B.V2-03	SERRATED SADDLE (A)
4	YC10B.V2-04	SERRATED SADDLE (B)
5	YC10B.V2-05	RING NUT

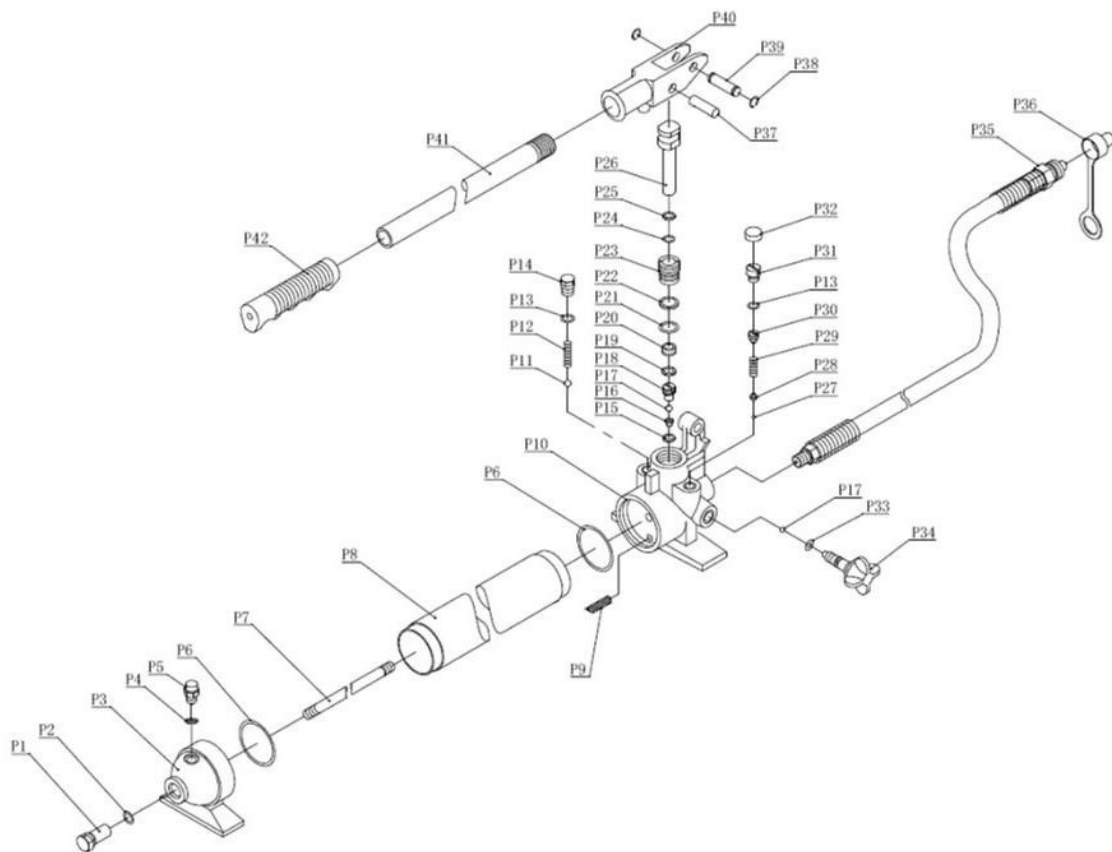
Item	Part No.	Description
6	YC10B.V2-06	EXTENSION TUBE (SMALL)
7	YC10B.V2-07	ARBOR PLATE (140x140x20)
8	YC10B.V2-08	RAM ASS'Y
9	YC10B.V2-09	FRAME

NOTE: It is our policy to continually improve products and as such we reserve the right to alter data, specifications and component parts without prior notice.

IMPORTANT: No liability is accepted for incorrect use of product.

WARRANTY: Guarantee is 12 months from purchase date, proof of which will be required for any claim.

Parts Information: Hydraulic Press 10tonne Bench 'C' Type Model No: YC10B.V2



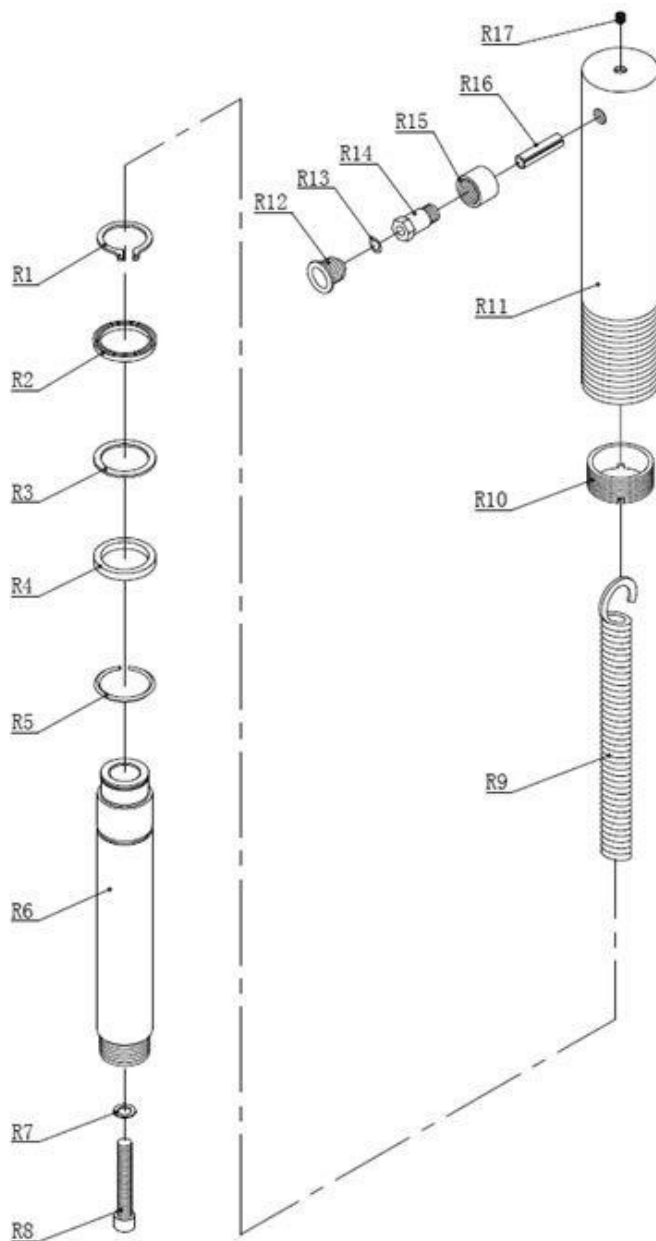
Item	Part No.	Description
1	YC10B.V2-P01	SCREW
2	YC10B.V2-P02	O-RING
3	YC10B.V2-P03	END BASE
4	YC10B.V2-P04	NYLON WASHER
5	YC10B.V2-P05	SCREW
6	YC10B.V2-P06	O-RING
7	YC10B.V2-P07	BAR
8	YC10B.V2-P08	OIL TANK
9	YC10B.V2-P09	FILTER
10	YC10B.V2-P10	PUMP BODY
11	YC10B.V2-P11	STEEL BALL
12	YC10B.V2-P12	SPRING
13	YC10B.V2-P13	O-RING
14	YC10B.V2-P14	SCREW
15	YC10B.V2-P15	NYLON WASHER
16	YC10B.V2-P16	BASE FOR VALVE
17	YC10B.V2-P17	STEEL BALL
18	YC10B.V2-P18	VALVE COVER
19	YC10B.V2-P19	NYLON WASHER
20	YC10B.V2-P20	U-RING
21	YC10B.V2-P21	O-RING

Item	Part No.	Description
22	YC10B.V2-P22	NYLON WASHER
23	YC10B.V2-P23	BASE FOR PUMP CORE
24	YC10B.V2-P24	O-RING
25	YC10B.V2-P25	NYLON WASHER
26	YC10B.V2-P26	PUMP CORE
27	YC10B.V2-P27	STEEL BALL
28	YC10B.V2-P28	BASE FOR STEEL BALL
29	YC10B.V2-P29	SPRING
30	YC10B.V2-P30	SCREW
31	YC10B.V2-P31	SCREW
32	YC10B.V2-P32	CAP
33	YC10B.V2-P33	O-RING
34	YC10B.V2-P34	RELEASE VALVE
35	YC10B.V2-P35	OIL HOSE
36	YC10B.V2-P36	DUST CAP
37	YC10B.V2-P37	PIN
38	YC10B.V2-P38	RETAINER RING
39	YC10B.V2-P39	PIN
40	YC10B.V2-P40	HANDLE BASE
41	YC10B.V2-P41	HANDLE
42	YC10B.V2-P42	HANDLE GRIP

NOTE: It is our policy to continually improve products and as such we reserve the right to alter data, specifications and component parts without prior notice.

IMPORTANT: No liability is accepted for incorrect use of product.

WARRANTY: Guarantee is 12 months from purchase date, proof of which will be required for any claim.



Item	Part No.	Description
1	YC10B.V2-R01	RETAINING RING
2	YC10B.V2-R02	SEAL RING
3	YC10B.V2-R03	PTFE RING
4	YC10B.V2-R04	WASHER
5	YC10B.V2-R05	LIMITED RING
6	YC10B.V2-R06	PISTON
7	YC10B.V2-R07	COPPER WASHER
8	YC10B.V2-R08	SCREW
9	YC10B.V2-R09	SPRING

Item	Part No.	Description
10	YC10B.V2-R10	LIMITED RING
11	YC10B.V2-R11	RAM
12	YC10B.V2-R12	DUST COVER
13	YC10B.V2-R13	O-RING
14	YC10B.V2-R14	CONNECTOR
15	YC10B.V2-R15	NUT
16	YC10B.V2-R16	LOCK PIN
17	YC10B.V2-R17	SCREW

NOTE: It is our policy to continually improve products and as such we reserve the right to alter data, specifications and component parts without prior notice.

IMPORTANT: No liability is accepted for incorrect use of product.

WARRANTY: Guarantee is 12 months from purchase date, proof of which will be required for any claim.