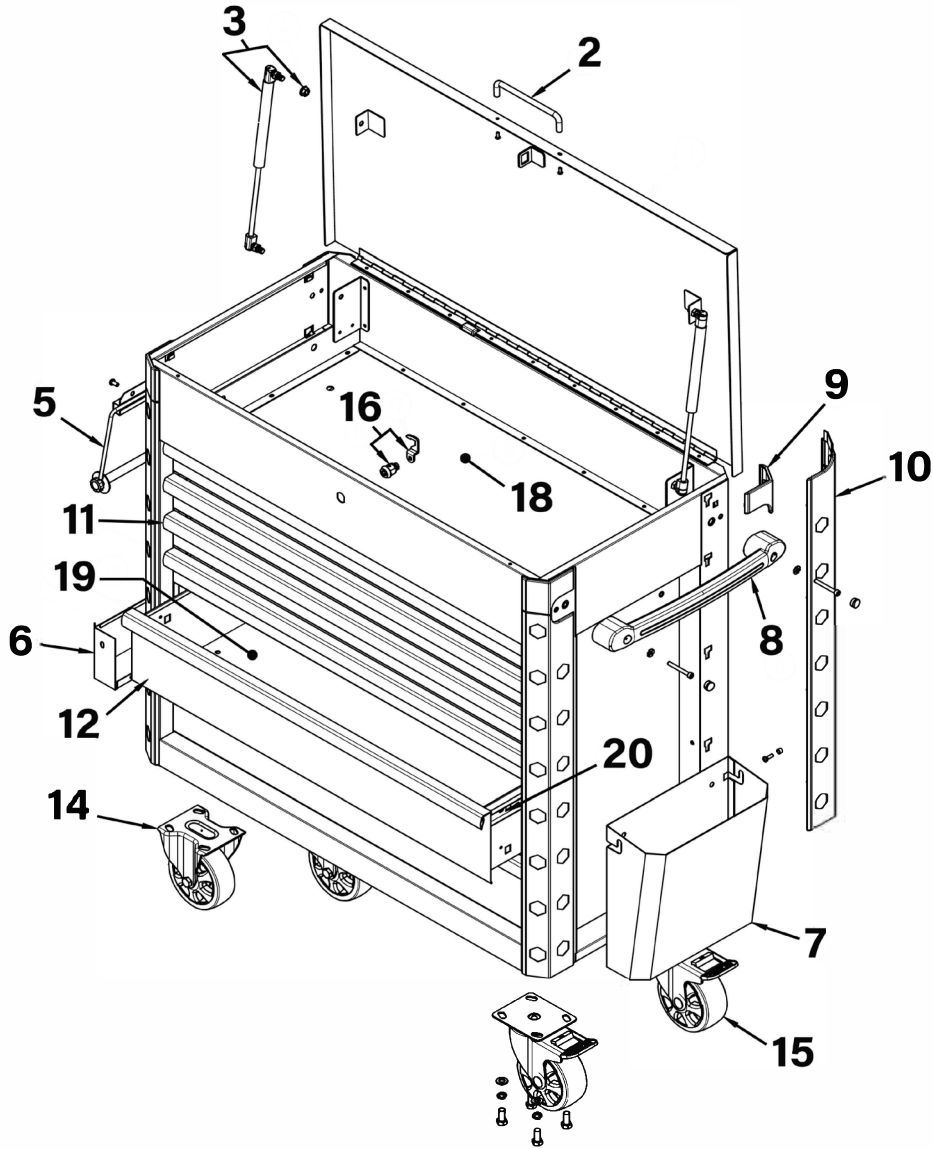


Parts Information:
Tool Trolley 6 Drawer with Ball Bearing Slides
Model No: AP366G & AP366HV



Item	Part No.	Description	Qty
2	AP366G-02	Aluminium Handle	1
3	AP366G-03	Gas Strut c/w Nut	2
5	AP366G-05	Paper Roll Holder	1
6	AP366G-06	Can Storage Tray	1
7	AP366G-07	Waste Bin	1
8	AP366G-08	Side Handle	1
9	AP366G-09	Small Corner Protector	4
10	AP366G-10	Corner Protection	4
11	AP366G-11	Drawer (Soft-Close) 'Grey' (AP366G only)	4
11	AP366HV-11	Drawer (Soft-Close) 'Green' (AP366HV only)	4

Item	Part No.	Description	Qty
12	AP366G-12	Drawer 'Deep' (Soft-Close) 'Grey' (AP366G only)	2
12	AP366HV-12	Drawer 'Deep' (Soft-Close) 'Green' (AP366HV only)	2
14	AP366G-14	Fixed Castor Ø5" x 2"	2
15	AP366G-15	Swivel Castor c/w Brake Ø5" x 2"	2
16	AP890M-LK	Lock & Key	1
18	AP366G-18	Drawer Liner 801 x 446 x 2mm	1
19	AP366G-19	Drawer Liner 815 x 405 x 2mm	6
20	AP366G-20	Ball Bearing Slide 16"	12

NOTE: It is our policy to continually improve products and as such we reserve the right to alter data, specifications and component parts without prior notice. There may be alternative versions of this product, please contact us should you require this information.

IMPORTANT: No liability is accepted for incorrect use of product. Spare parts must be fitted by a competent person

WARRANTY: Guarantee is 12 months from purchase date, proof of which will be required for any claim.